

The image features a dark, textured background with several white, hand-drawn lines. A horizontal line spans the width of the image. Two vertical lines are positioned on the right side, with the rightmost one being slightly taller. A diagonal line starts from the bottom left and extends towards the top right, crossing the horizontal and vertical lines.

First

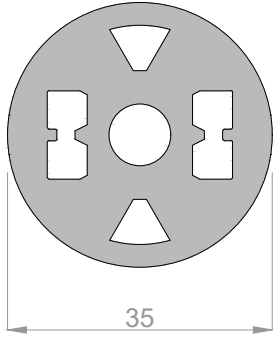
INDEX

1. ALUMINIUM PROFILE	p. 1
2. ACCESSORIES	p. 2
3. ASSEMBLY	p.10

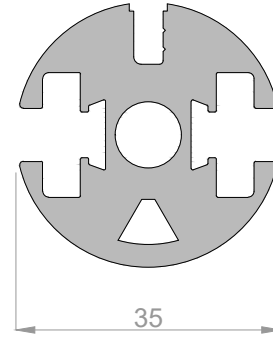


First - PROFILE

FI-35
FIRST Vertical Profile



TM-35
FIRST Vertical Profile with Vertical Lamp

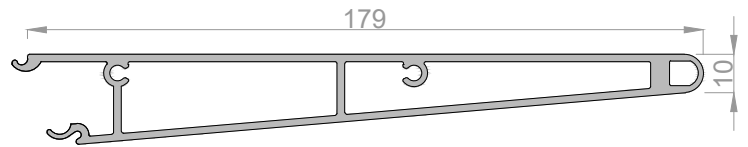


STRUCTURES - SCALA1:1

FI-8426C
FIRST Connecting Profile for Central Shelf



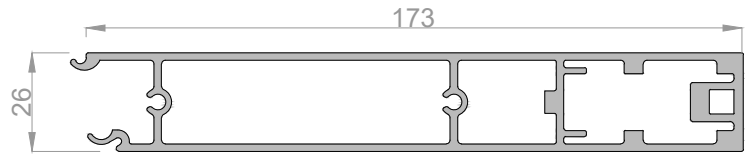
FI-17926
FIRST Hooking Profile for Central Shelf



FI-8426SI
FIRST Connecting Profile for upper/lower/central Shelf



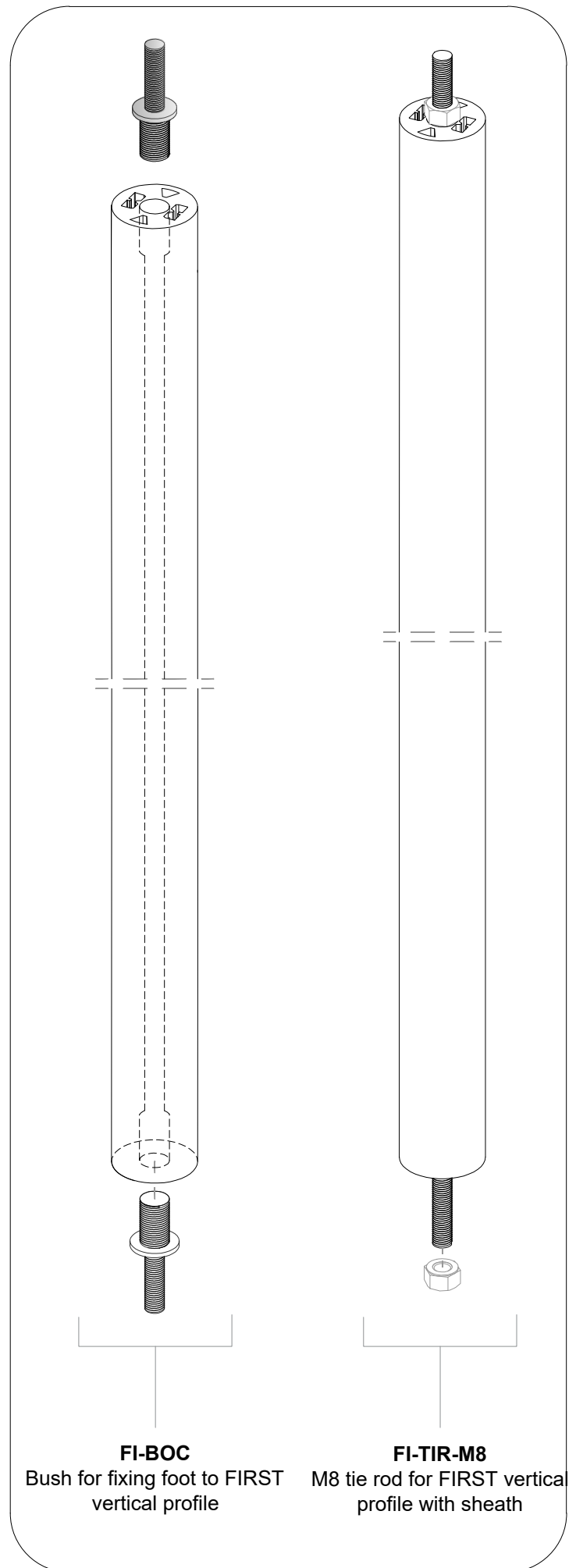
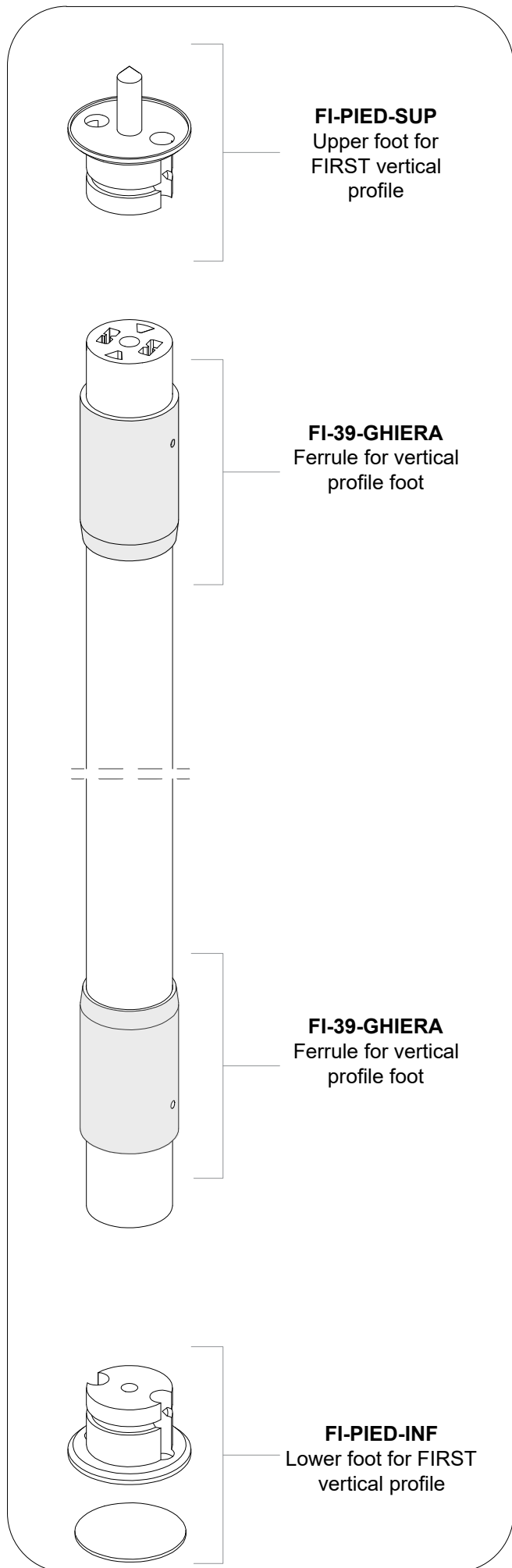
FI-17826
FIRST Hooking Profile for upper/lower/central Shelf



SHELVES - SCALA1:2



First - ACCESSORIES



FI-GO
FIRST Elbow Pipe

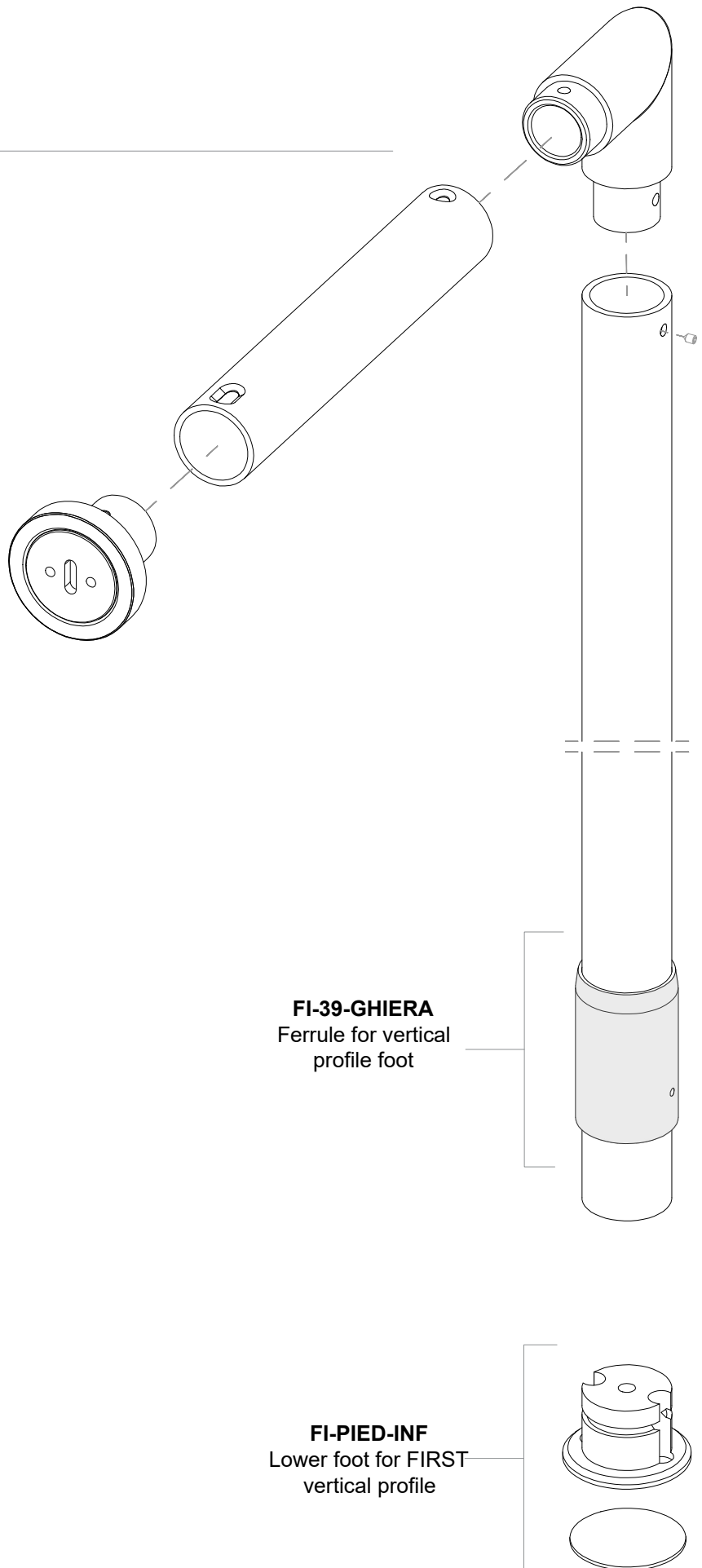
FI-T35X2,5-200
Connecting tube to
FIRST vertical profile
(standard measure)

FI-T35X2,5-X
(X=Customized
measure)

FI-FP-ZAMA
Couple of wall
supports

FI-39-GHIERA
Ferrule for vertical
profile foot

FI-PIED-INF
Lower foot for FIRST
vertical profile

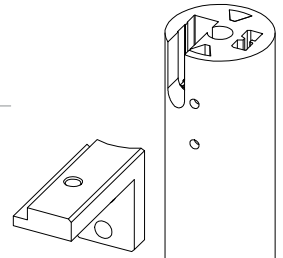
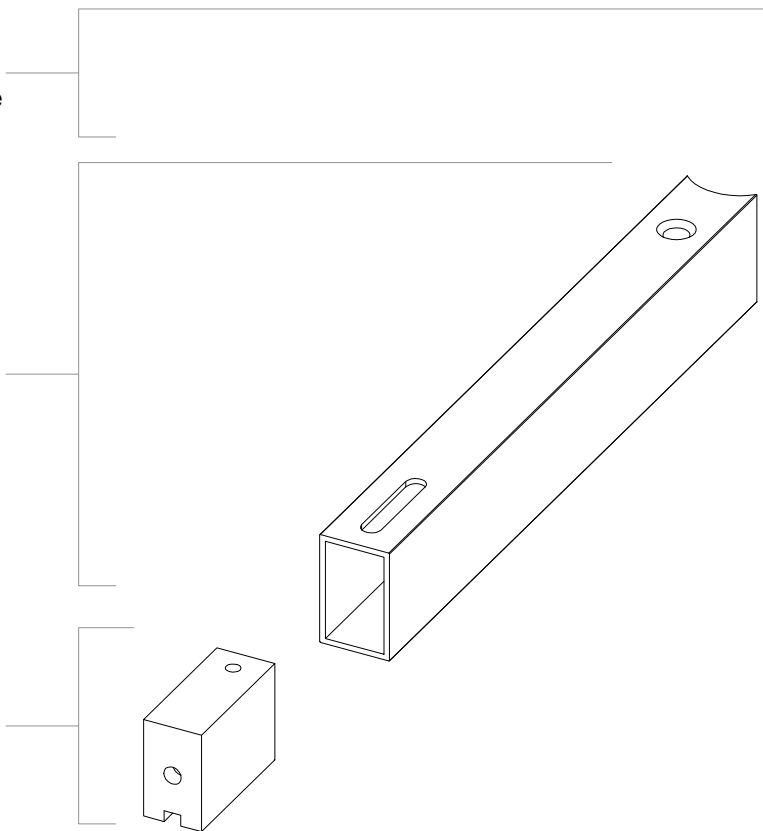


FI-ATT-BRA-MON
L Connection to
FIRST Vertical Profile

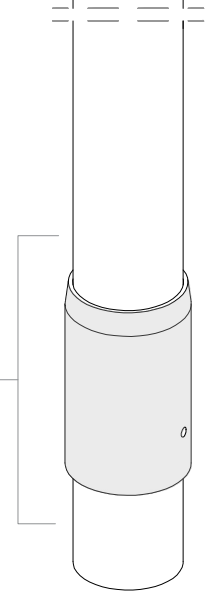
FI-R40X25-250
Rectangular tube for
connection to FIRST
vertical profile
(standard measure)

FI-R40X25-X
(X=Customized
measure)

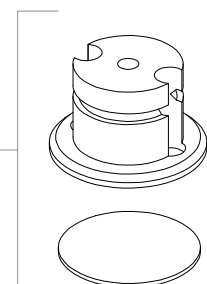
FI-ATT-BRA-SM
Connection to the
wall for FIRST
vertical profile

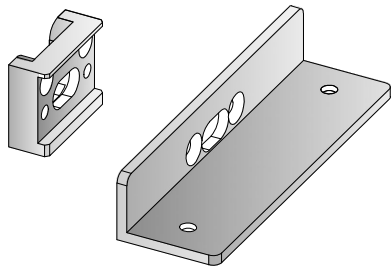
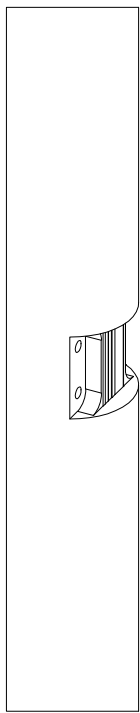


FI-39-GHIERA
Ferrule for vertical
profile foot

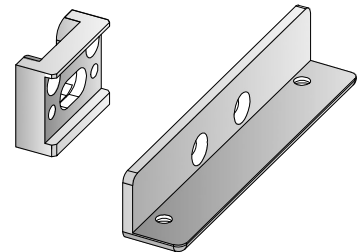
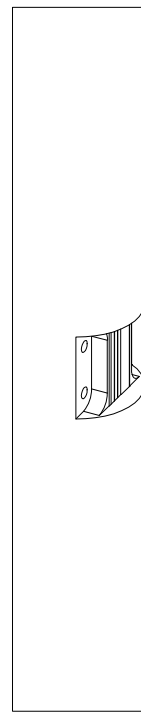


FI-PIED-INF
Lower foot for FIRST
vertical profile

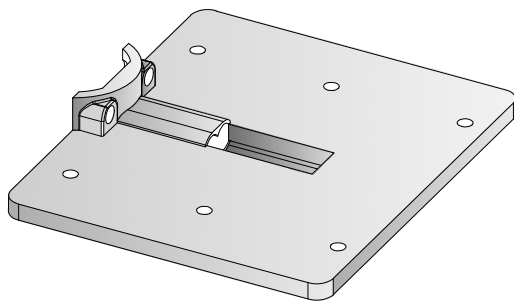
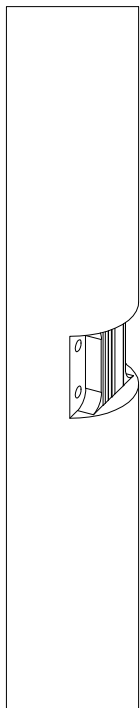




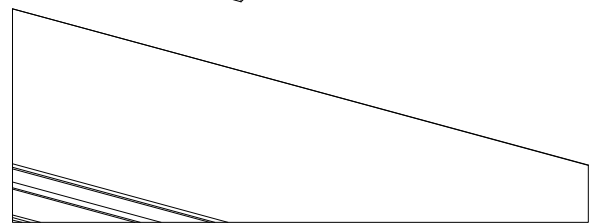
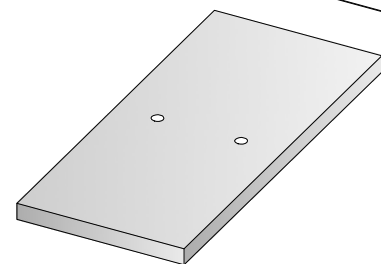
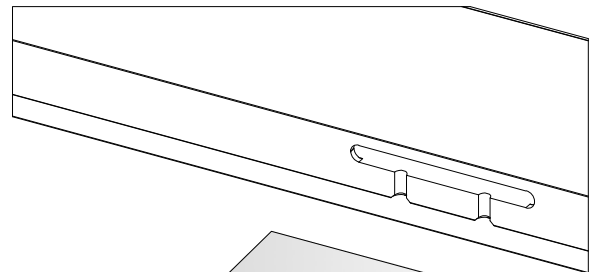
FI-SUP-LE
Support for wooden shelf for worked vertical profile FI-35



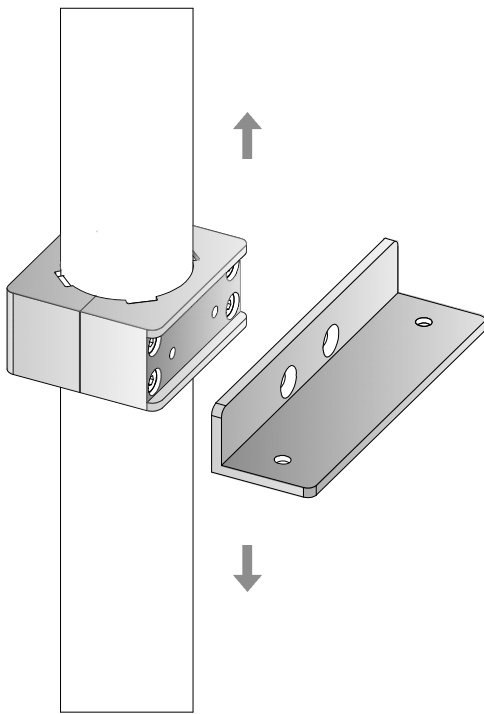
FI-SUP-EX
Support for EXTRALAIT shelf for worked vertical profile FI-35



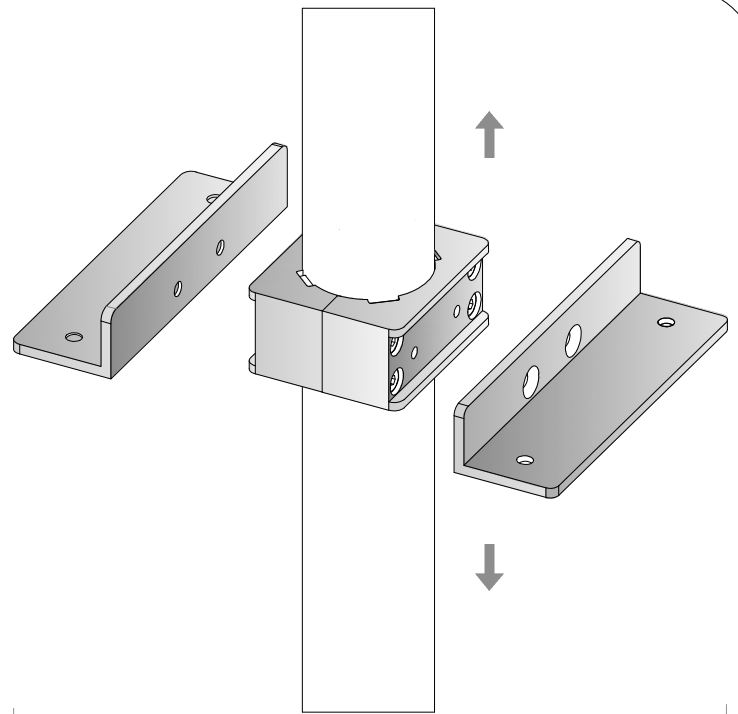
FI-REG-ZAMA
Zamak shelf bracket for aluminium shelf



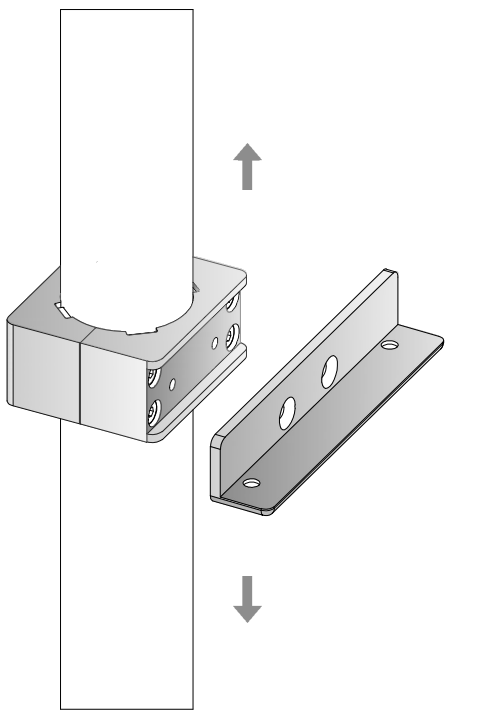
FI-PIA-ALLUM-GR
Aluminum plate for shelf reinforcement



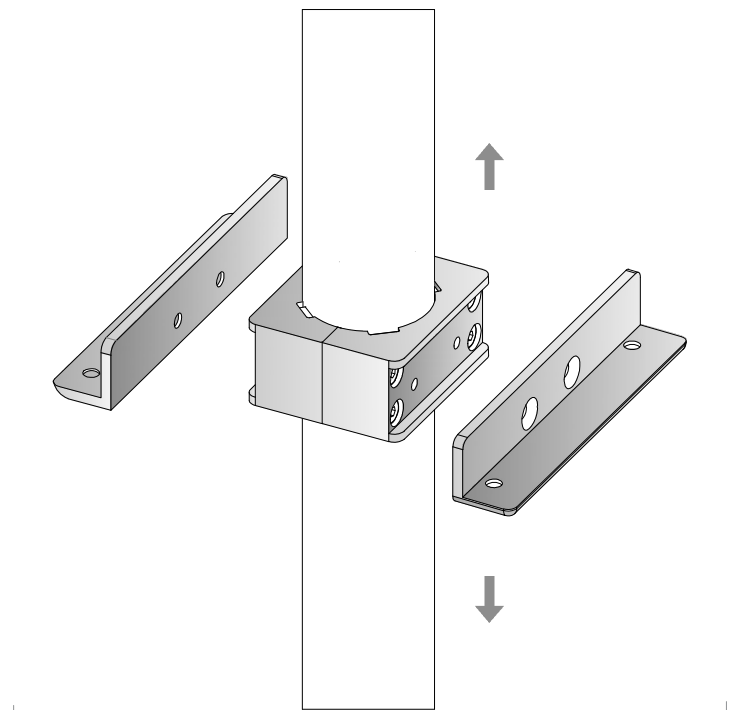
FI-BLOC-LAT-REG-LE
Side support for wooden shelf for vertical
profile FI-35



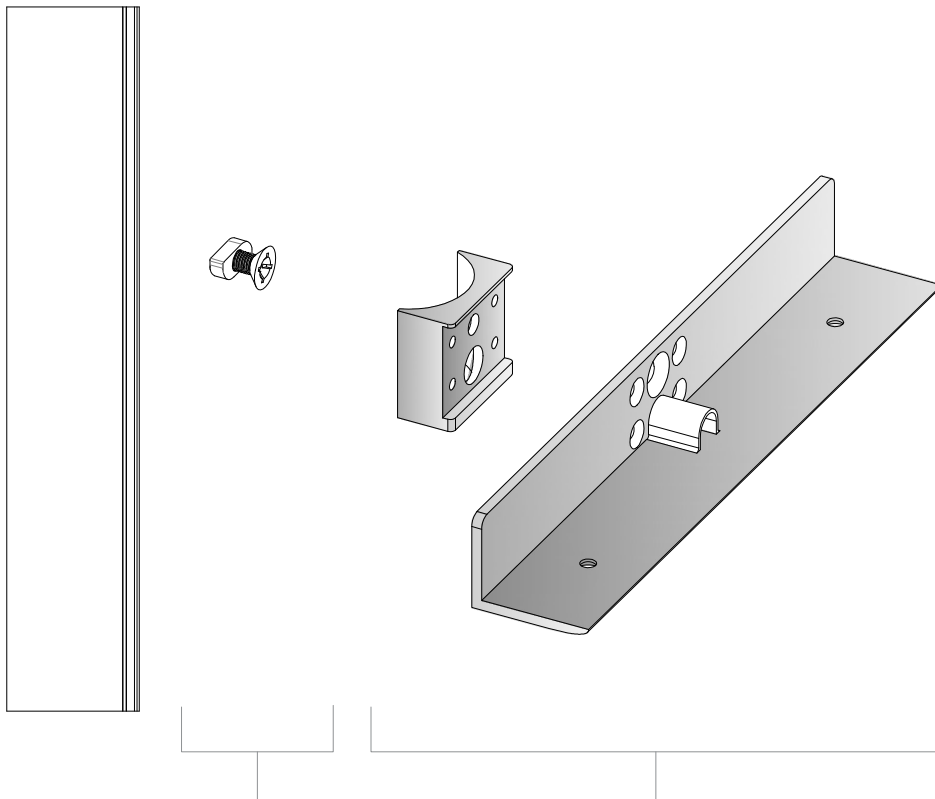
FI-BLOC-CEN-REG-LE
Central support for wooden shelf for
vertical profile FI-35



FI-BLOC-LAT-REG-EX
Side support for EXTRALAIT shelf for
vertical profile FI-35

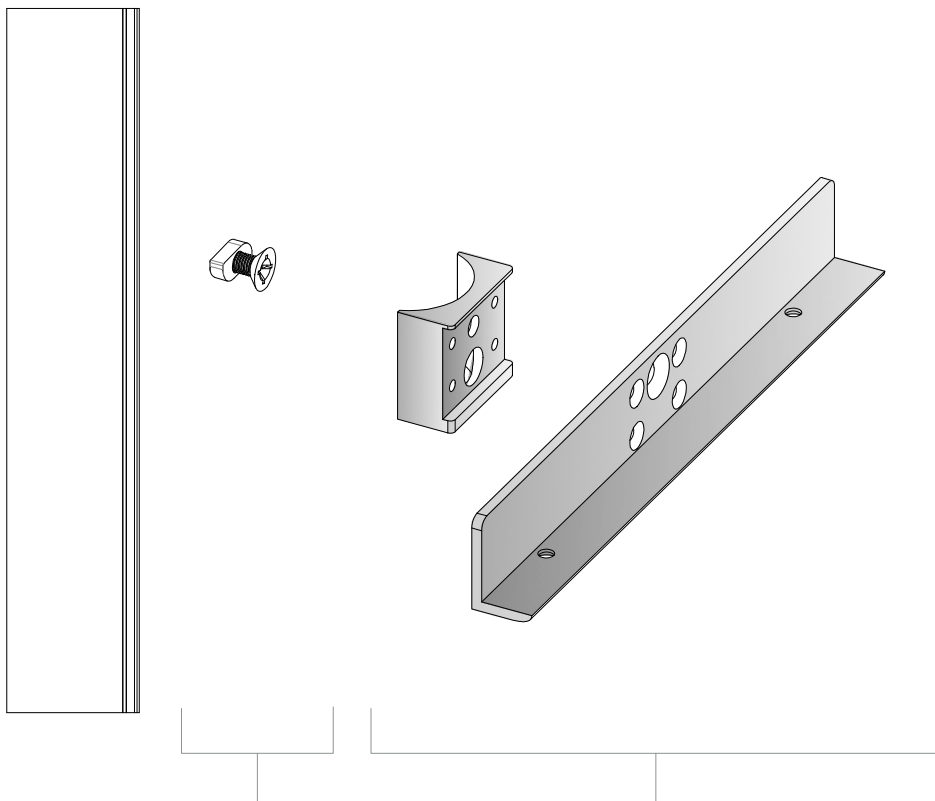


FI-BLOC-CEN-REG-LE
Central support for EXTRALAIT shelf for
vertical profile FI-35



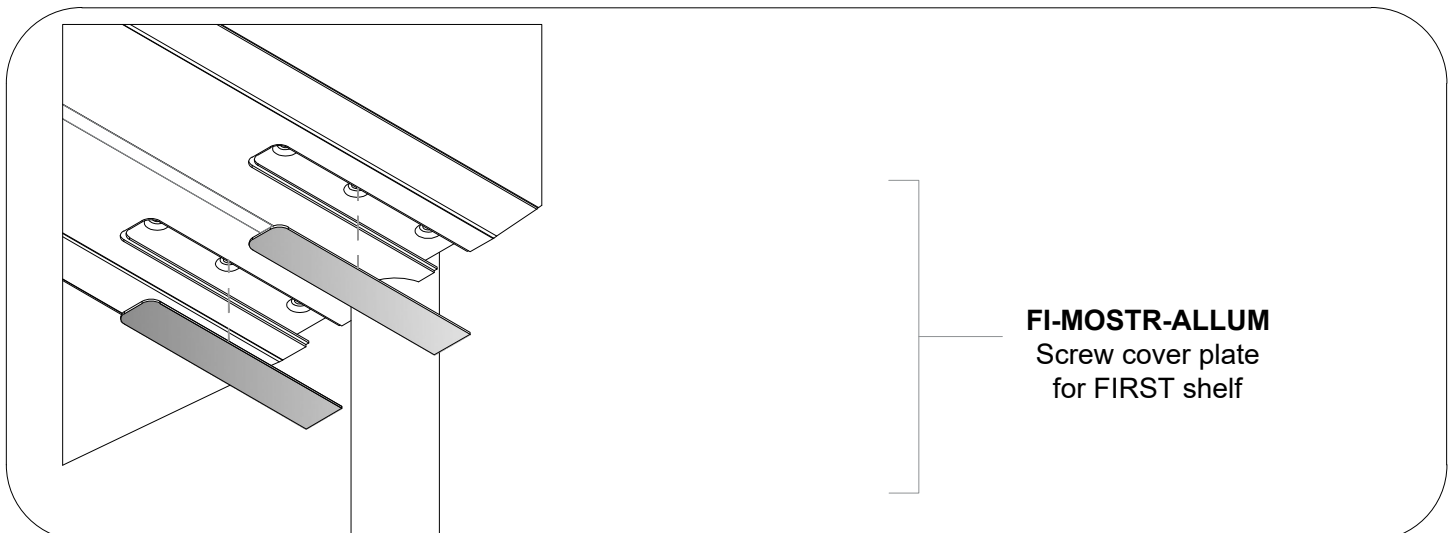
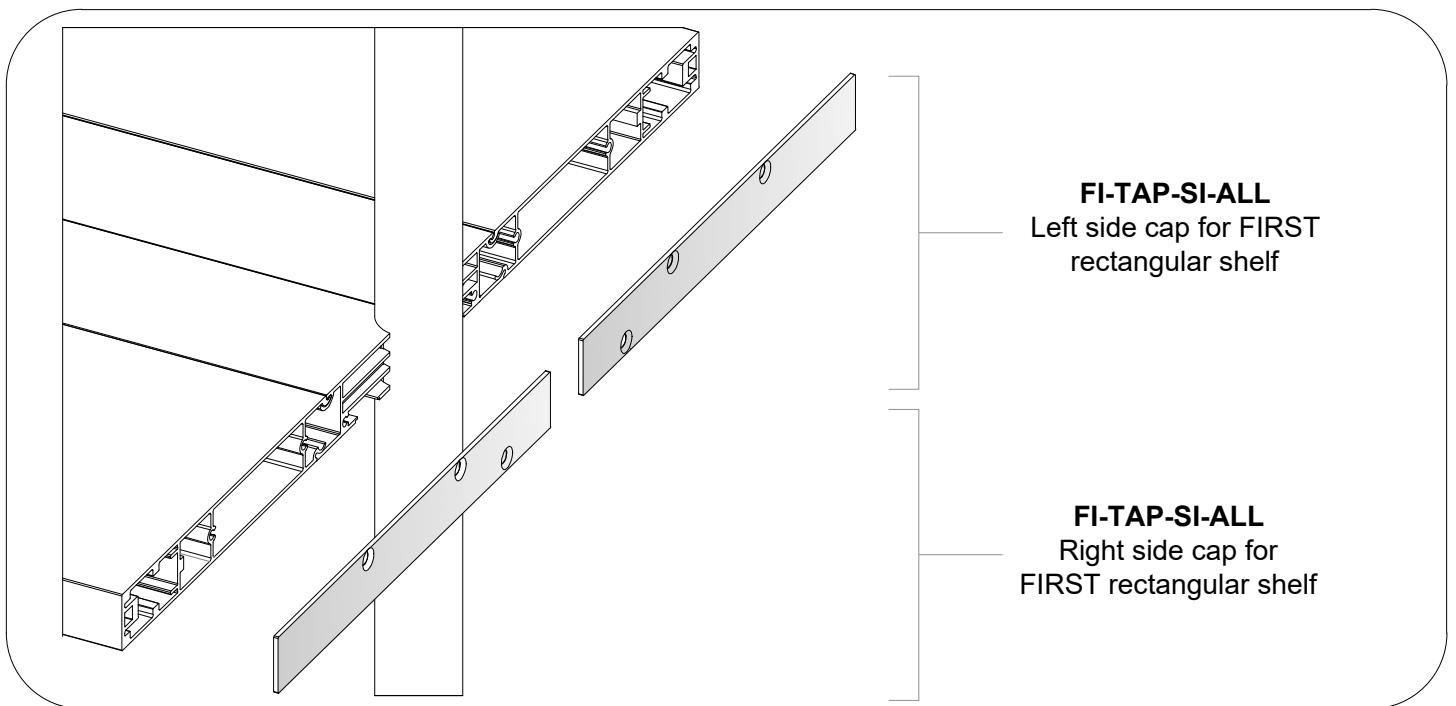
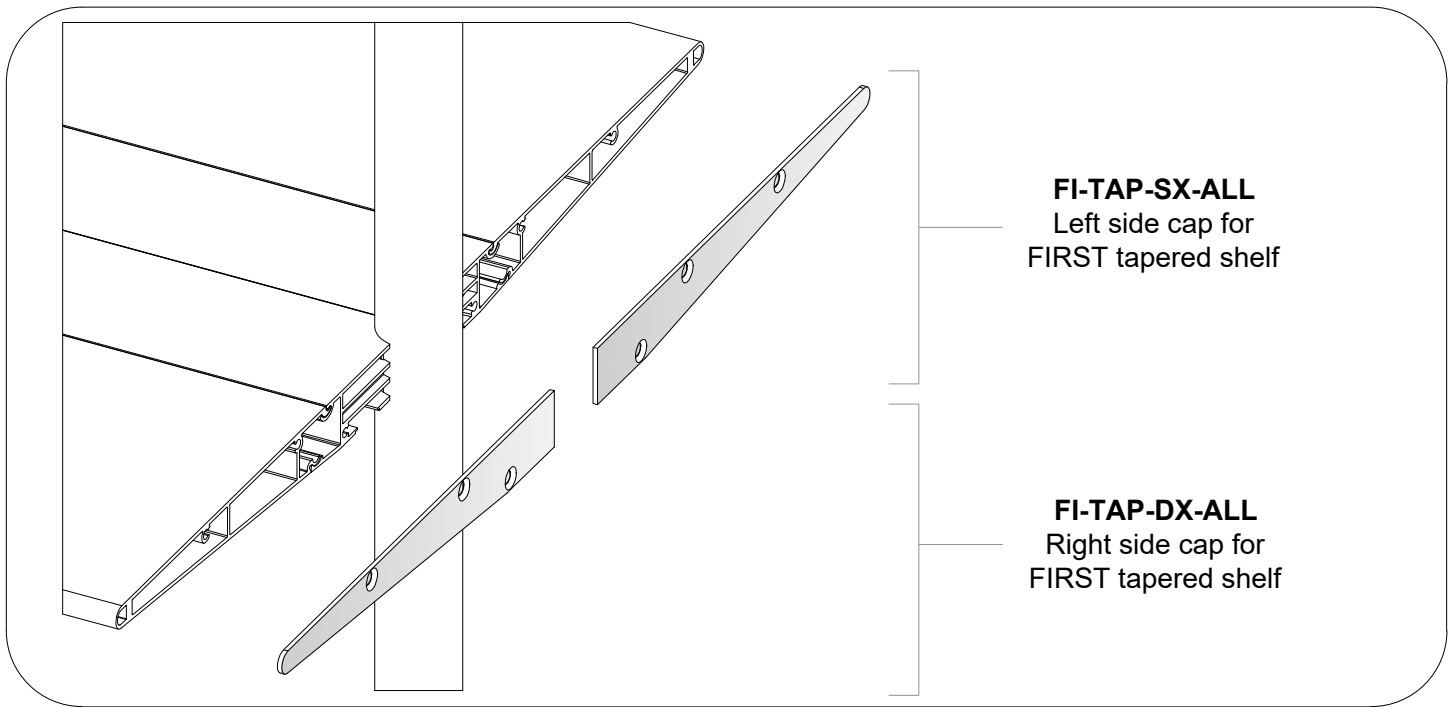
FI-AGG-ROT
Rotating hooking with
bushing and screw for
TM-35

FI-SUP-TM35-LE
Support for wooden
shelf for vertical profile
TM-35

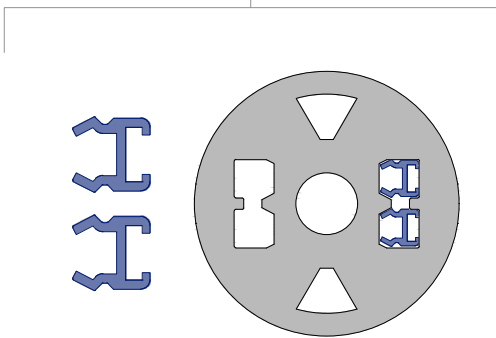


FI-AGG-ROT
Rotating hooking with
bushing and screw for
TM-35

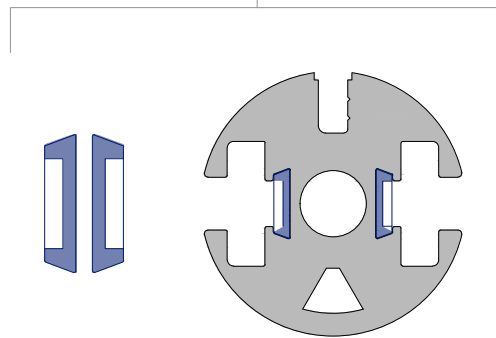
FI-SUP-TM35-EX
Support for EXTRALAIT
shelf for vertical profile
TM-35



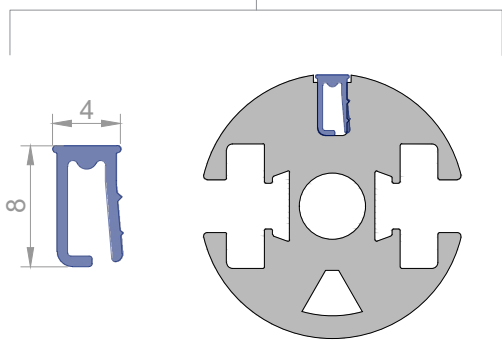
FI-ER-3000-CAVO-2X05
 Pair of extruded PVC-COPPER for
 FIRST electrical contact



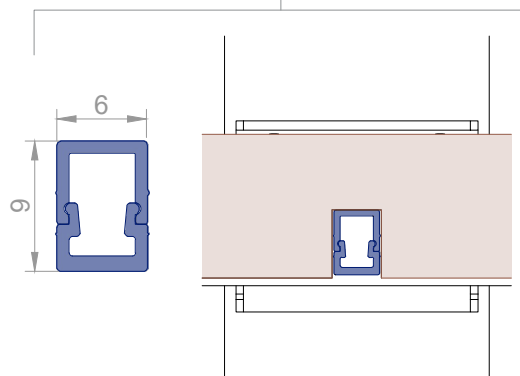
FI-BE-3000-CAVO-8X2
 Pair of electrified track for FIRST
 TM-35



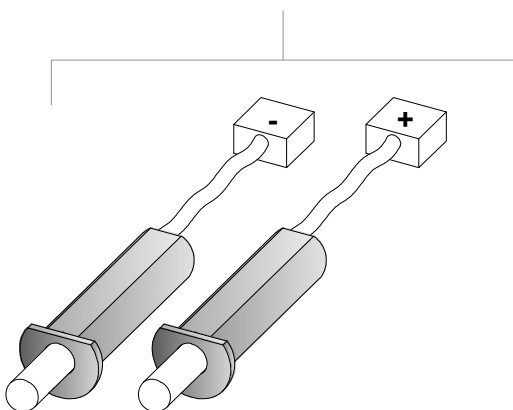
IVO-C2000
 IVO 2.0 lamp, cable L.2000mm,
 3000K, with 24V connector



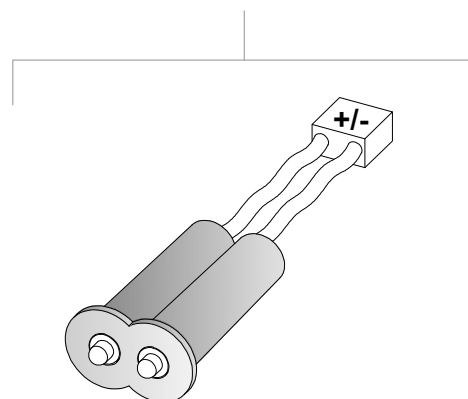
LAMPADA-ERA
 ERA lamp, cable L.2000mm, 3000K,
 with 24V connector



FI-PIN-TM35
 Pair of single-pole pin connectors for
 vertical profile TM-35 with female
 connector

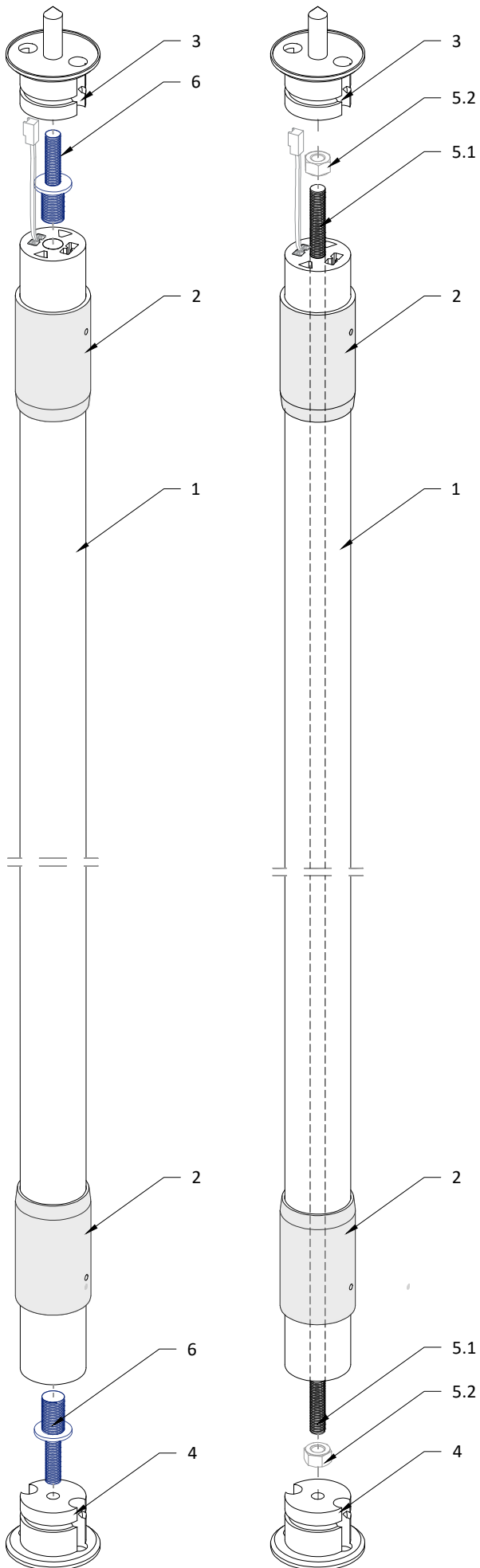


FI-PIN-DOPPIO
 Double pin connector with male and
 female connector for FI-35





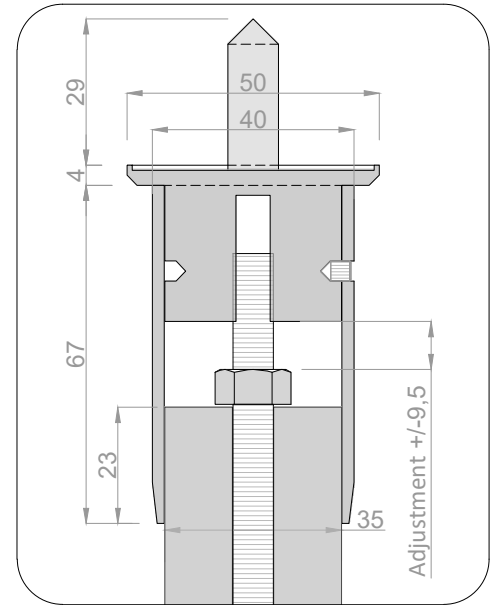
First - ASSEMBLY



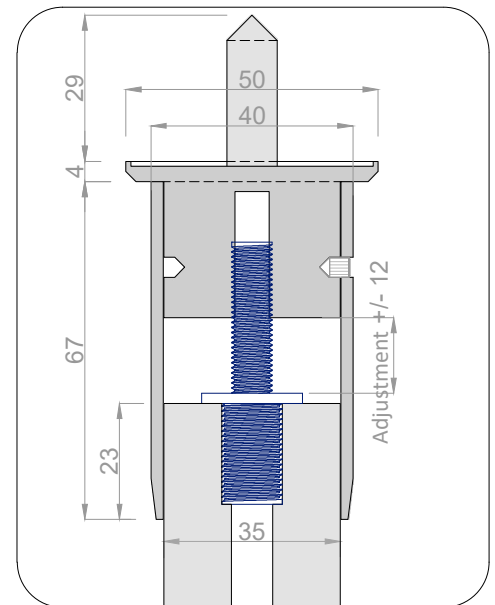
Hooking **without** tie rod

Hooking **with** tie rod

Ferrule fixing



Vertical section
scale 1:2

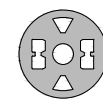


Vertical section
scale 1:2

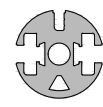
CAPTION

1. FIRST vertical profile
2. FI-39-GHIERA Ferrule for vertical profile foot
3. FI-PIED-SUP Upper foot for FIRST vertical profile
4. FI-PIED-INF Lower foot for FIRST vertical profile
5. FI-TIR-M8 M8 tie rod made of 5.1 M8 tie rod for FIRST vertical profile
- 5.2. M8 nut
6. FI-BOC Bush for fixing foot to FIRST vertical profile
7. Set screw M4x8
8. Cone point set screw M4x8

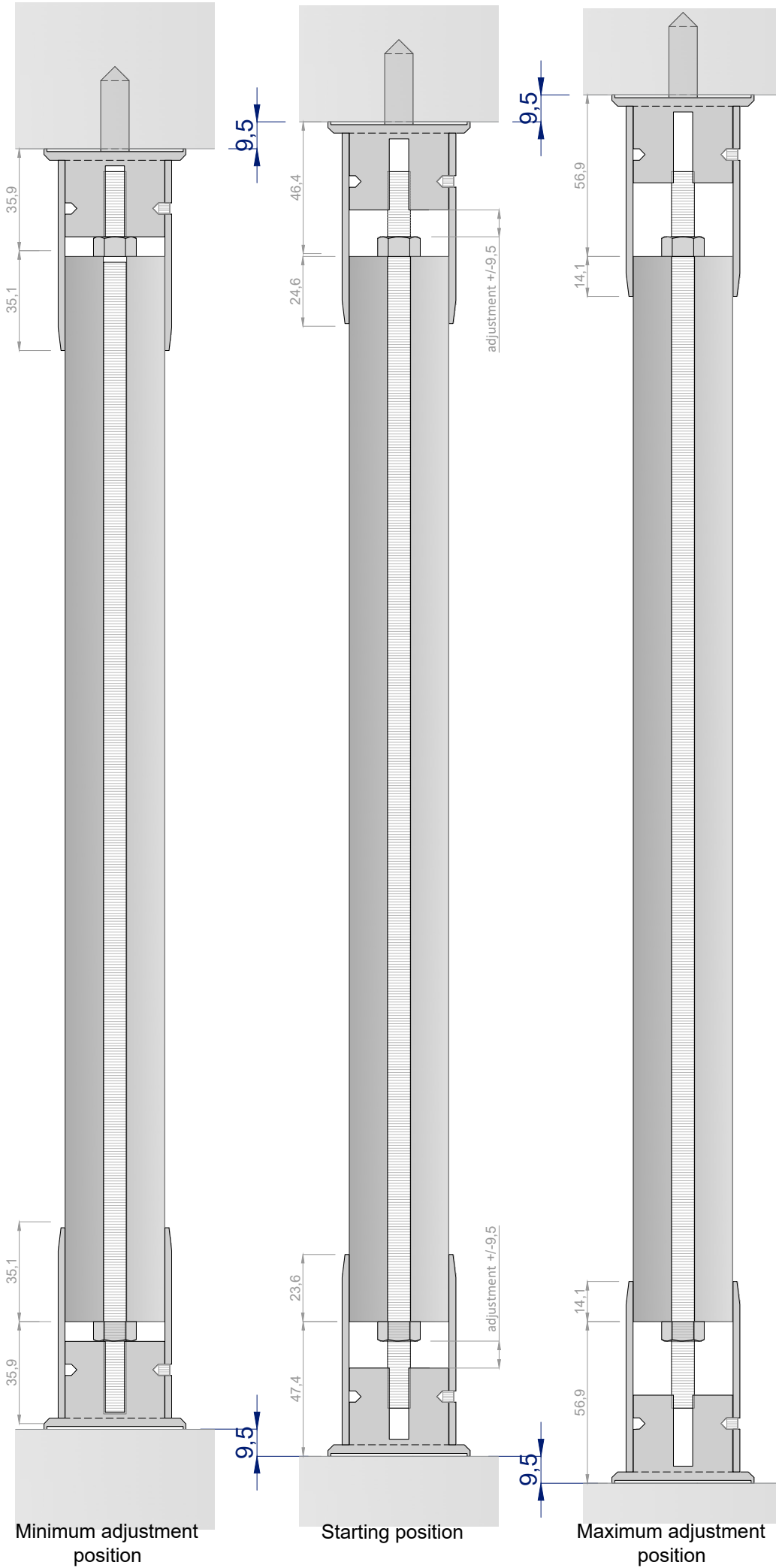
ALUMINIUM PROFILES



FI-35



TM-35



RULES

$$H \text{ Vertical Profile} = H \text{ Floor/ceiling} - 95$$

$$H \text{ tie rod} = H \text{ Vertical Profile} + 61$$

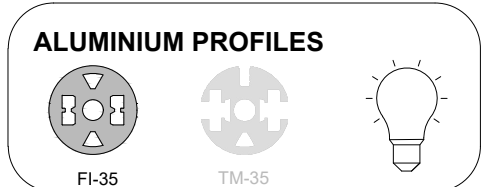
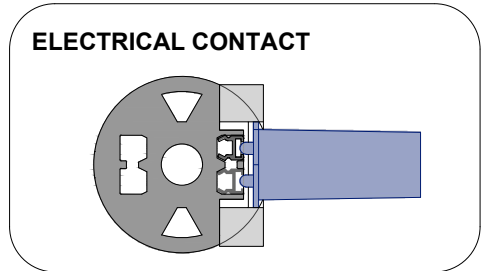
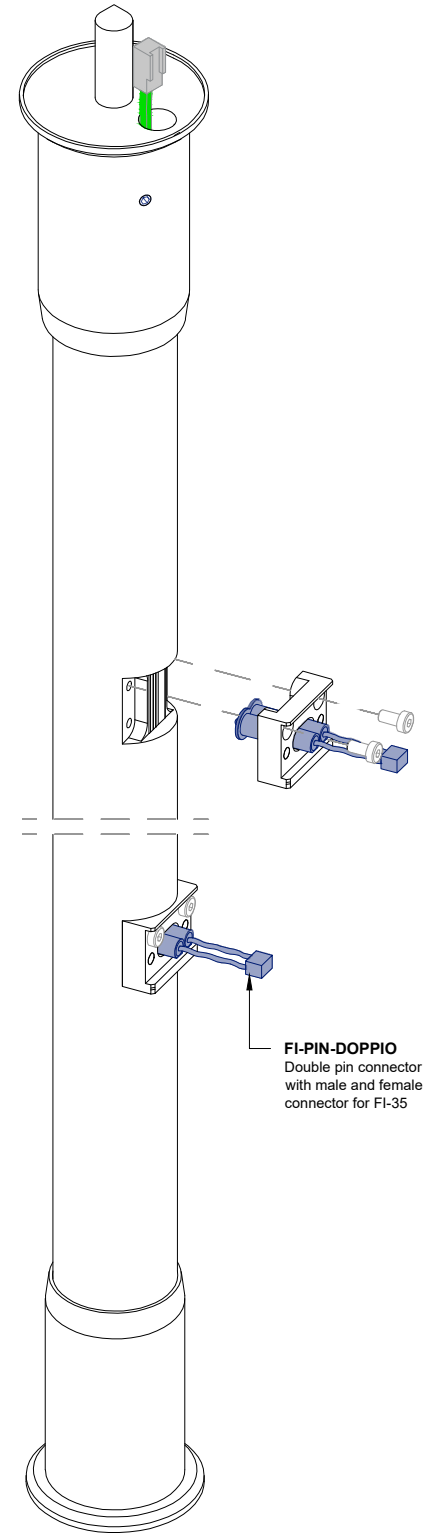
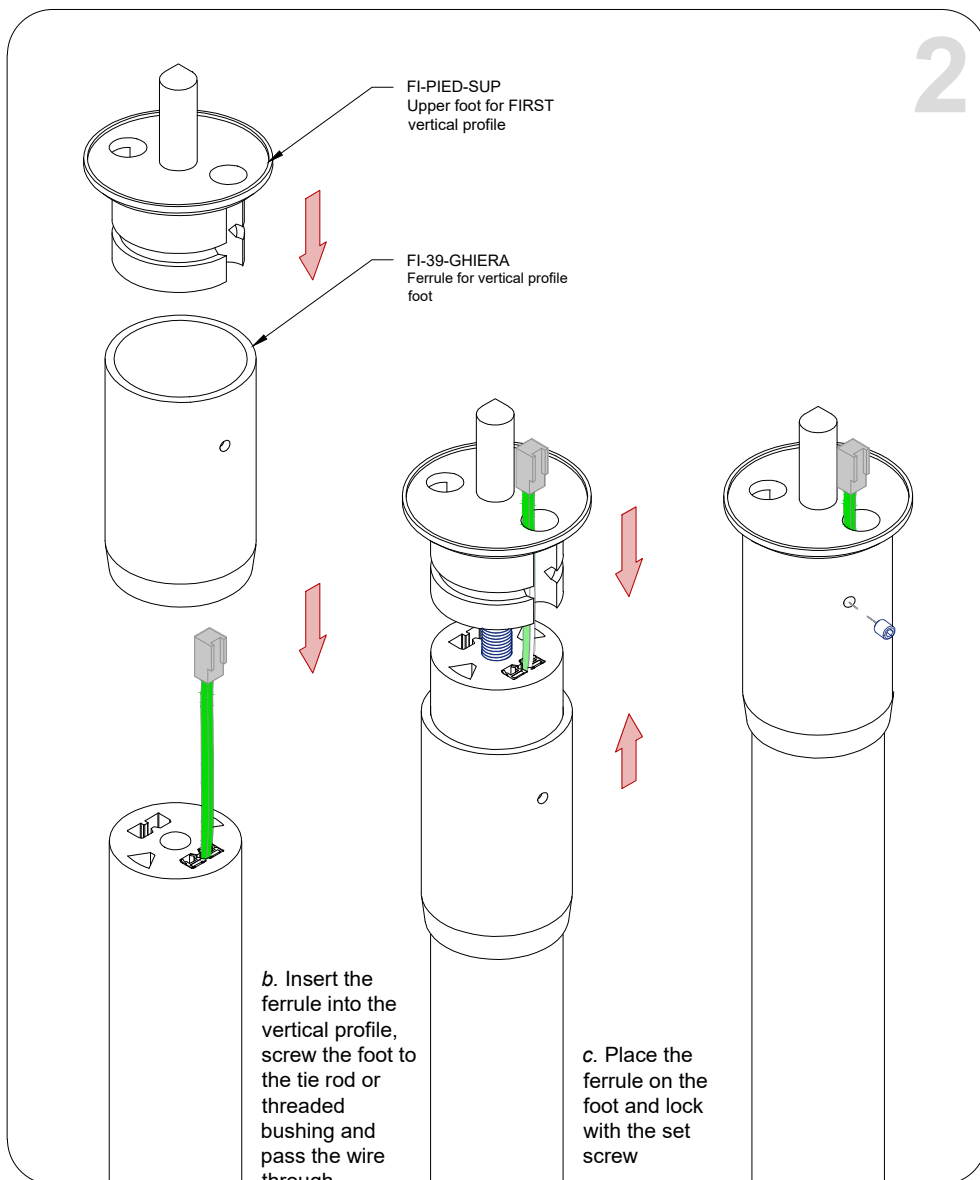
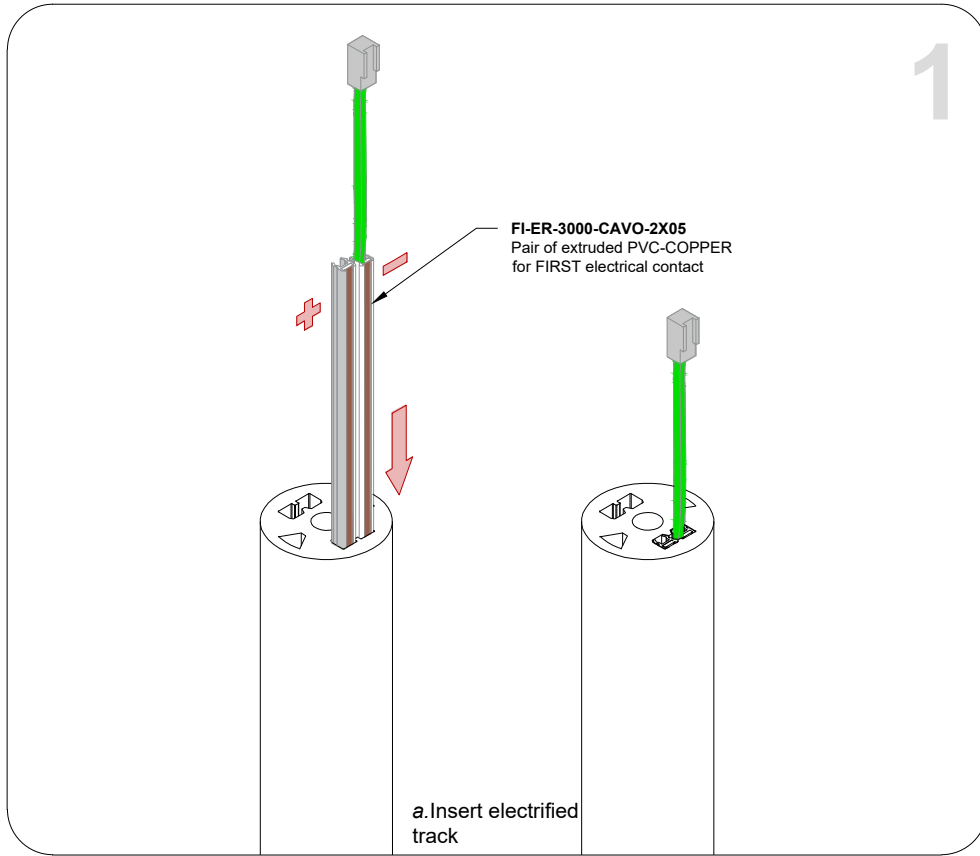
ALUMINIUM PROFILES

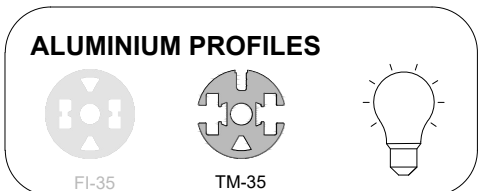
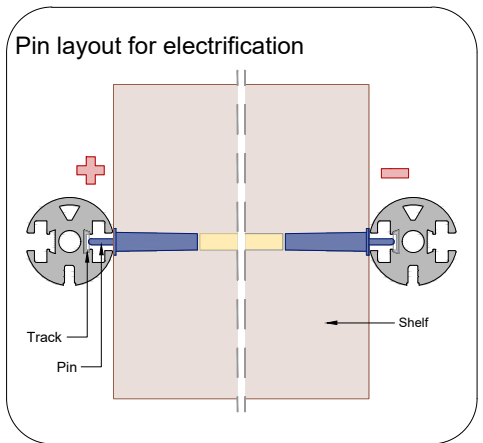
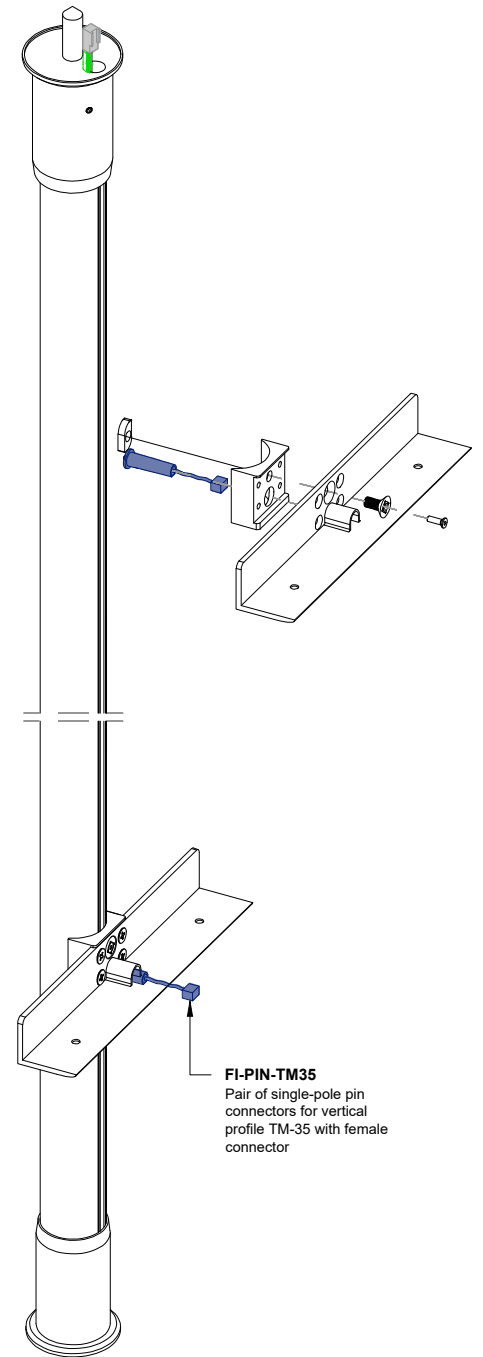
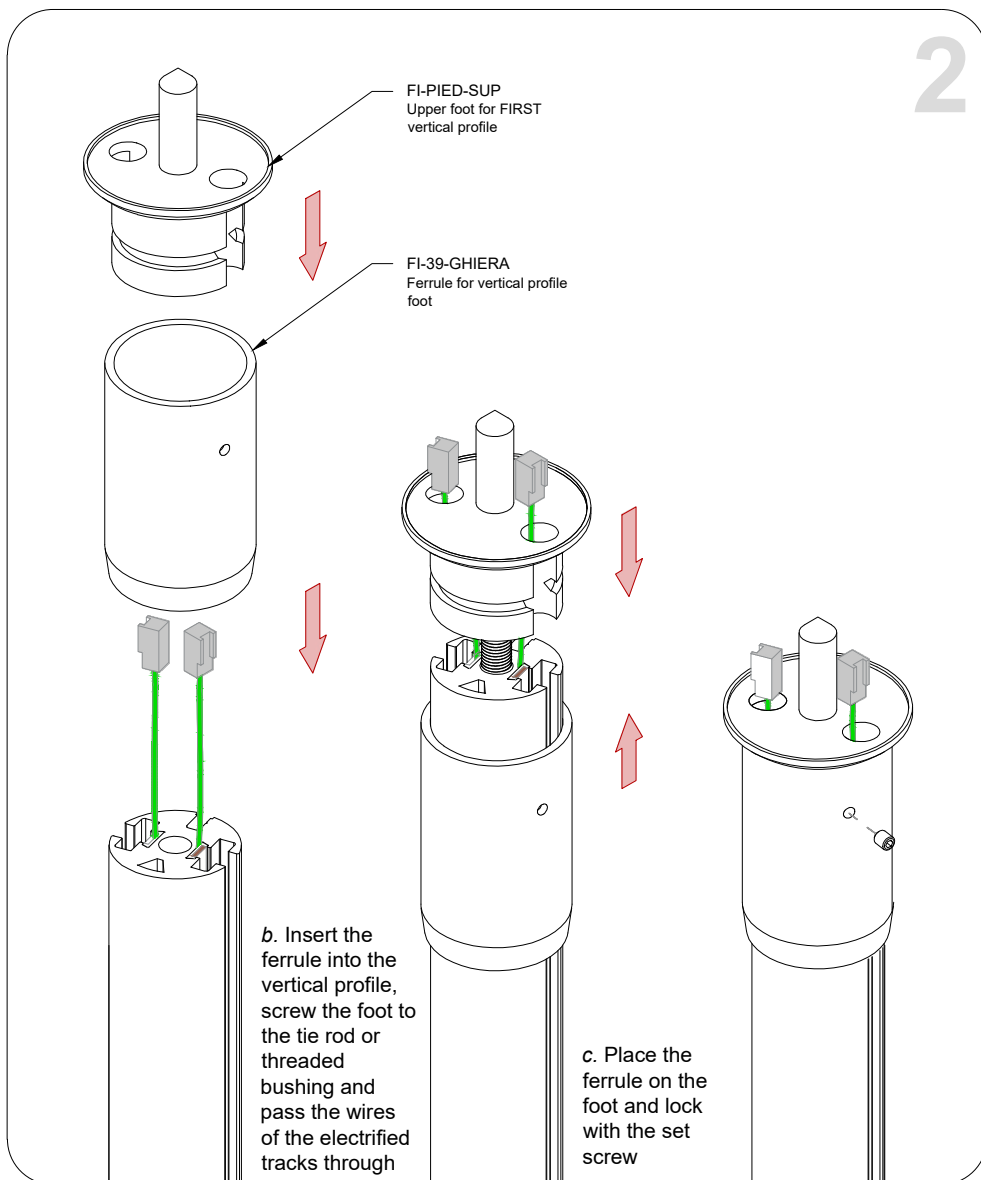
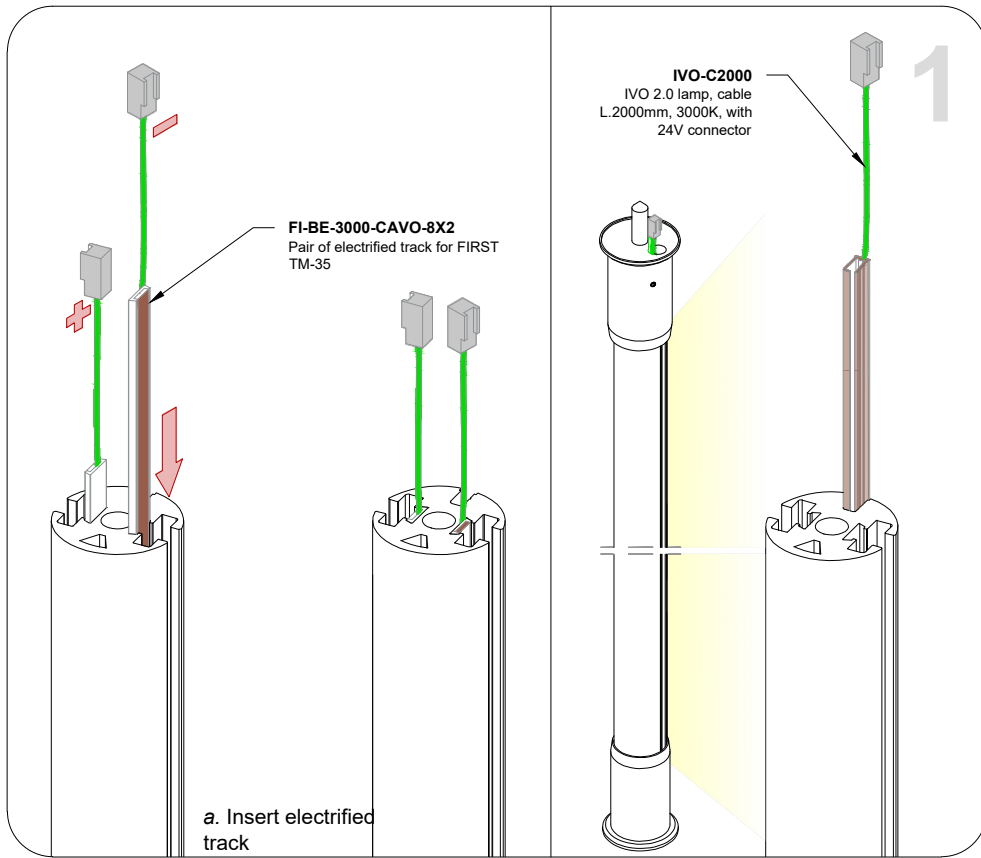


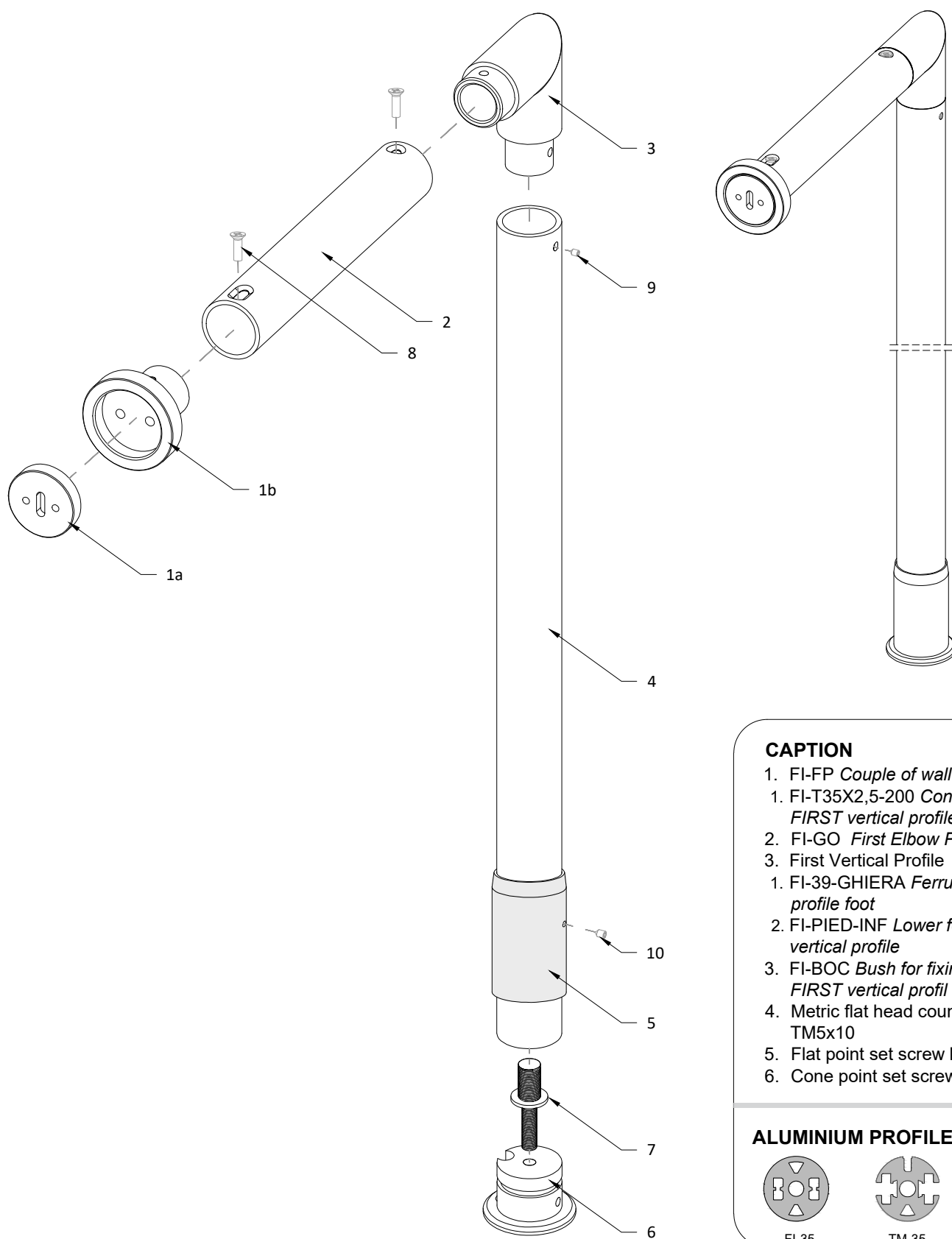
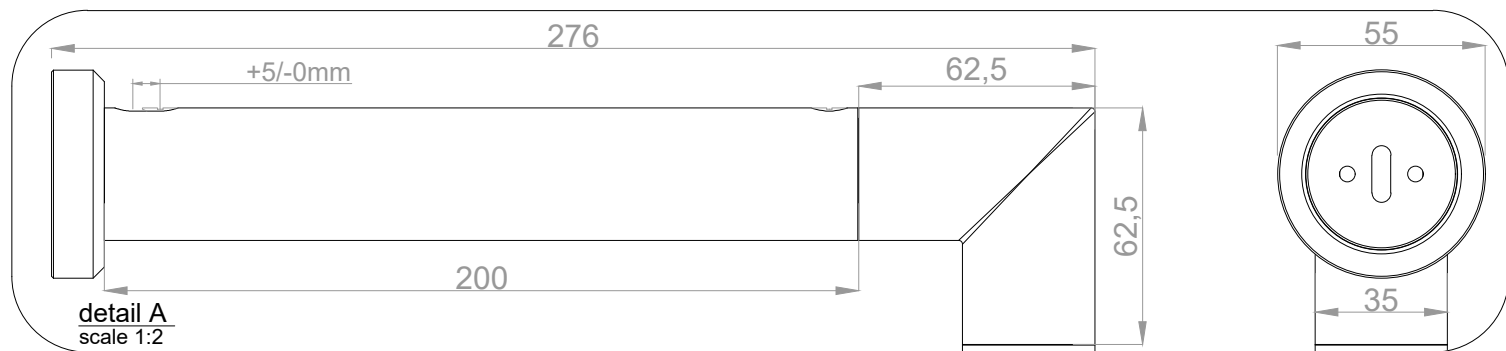
FI-35



TM-35



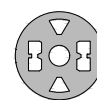




CAPTION

- 1. FI-FP Couple of wall supports
- 1. FI-T35X2,5-200 Connecting tube to FIRST vertical profile
- 2. FI-GO First Elbow Pipe
- 3. First Vertical Profile
- 1. FI-39-GHIERA Ferrule for vertical profile foot
- 2. FI-PIED-INF Lower foot for FIRST vertical profile
- 3. FI-BOC Bush for fixing foot to FIRST vertical profil
- 4. Metric flat head countersunk screw TM5x10
- 5. Flat point set screw M5x8
- 6. Cone point set screw M4x8

ALUMINIUM PROFILES

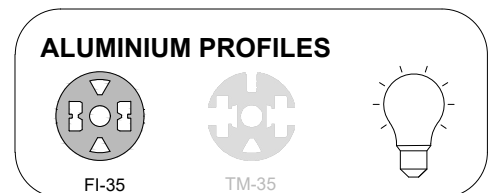
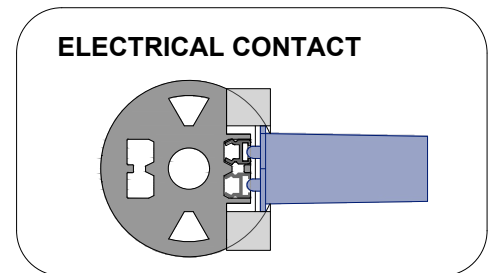
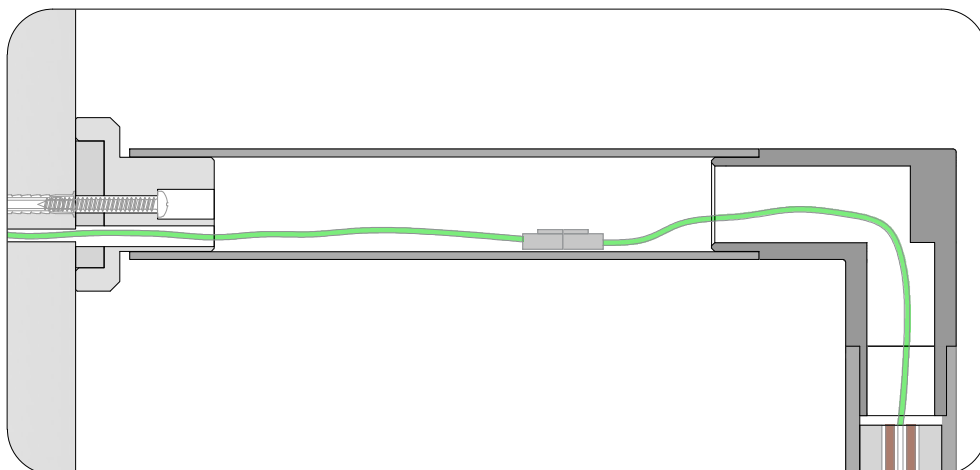
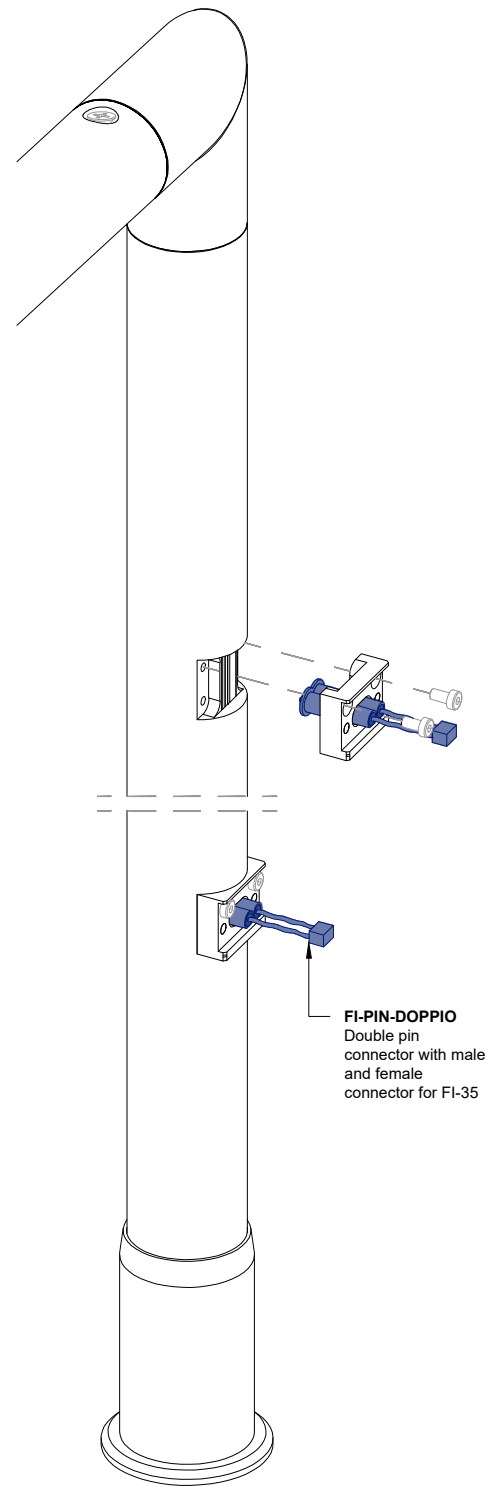
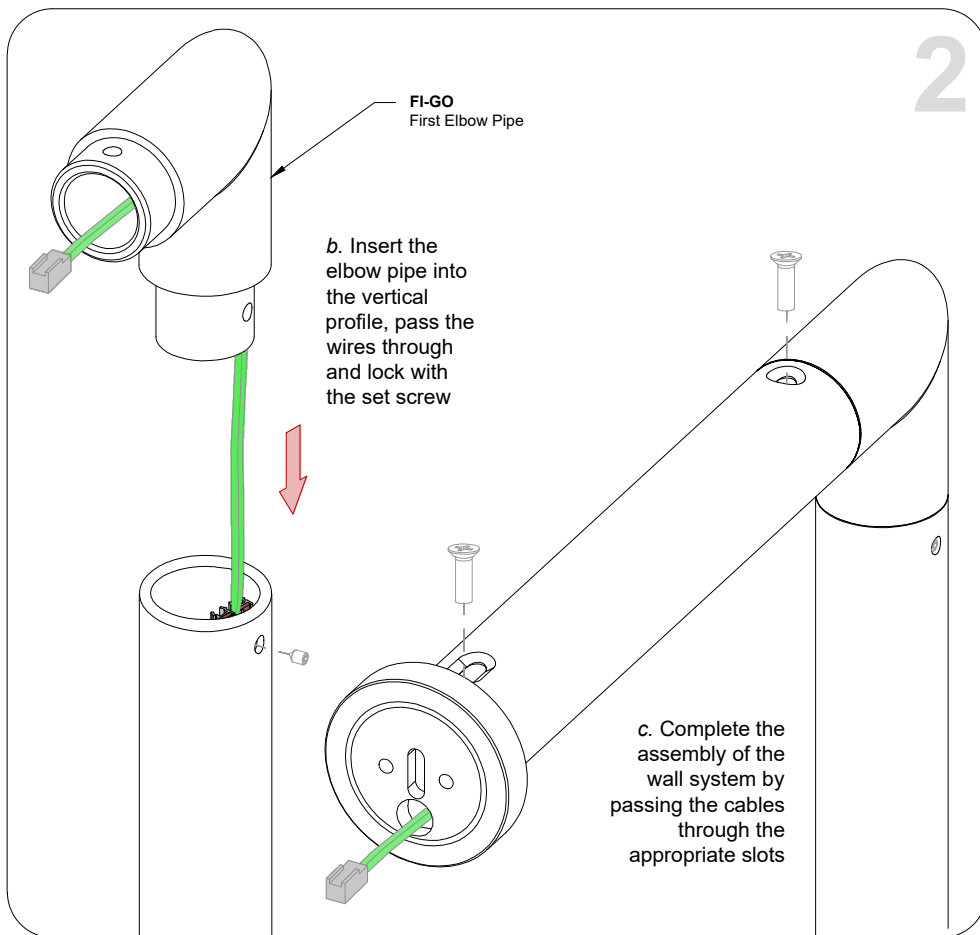
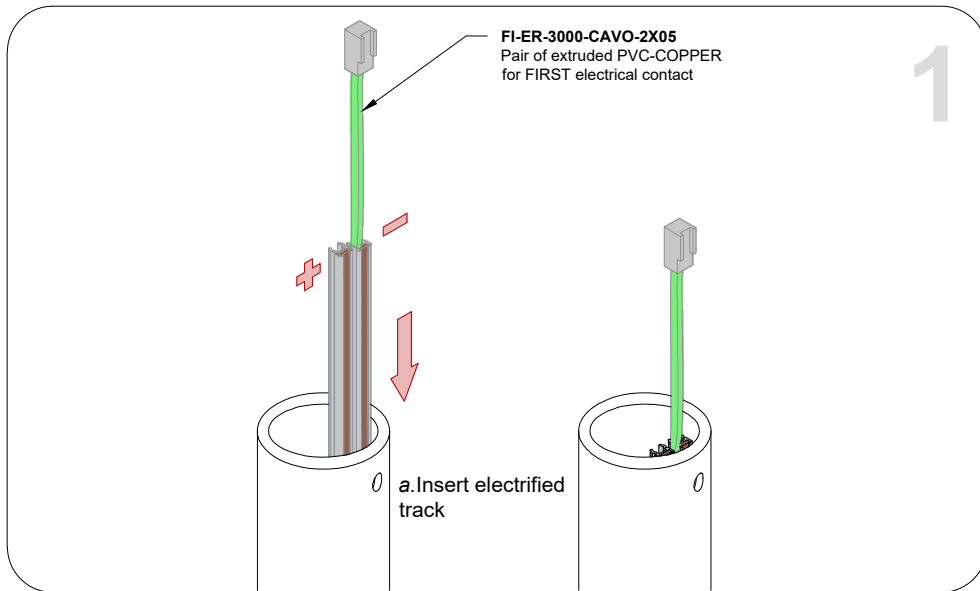


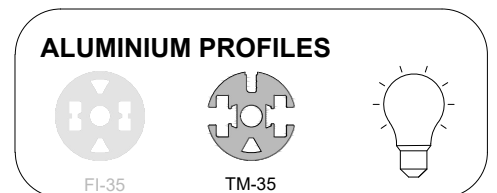
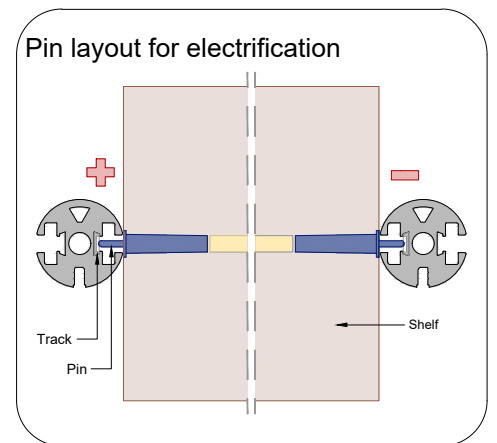
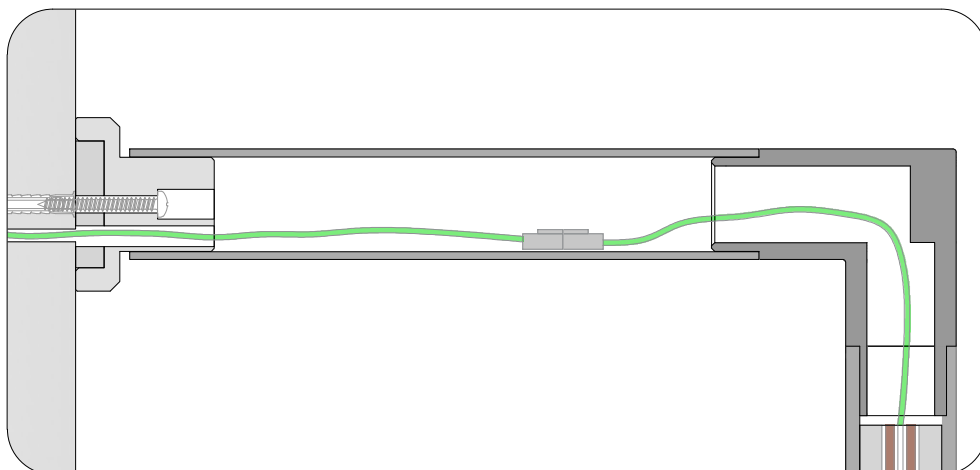
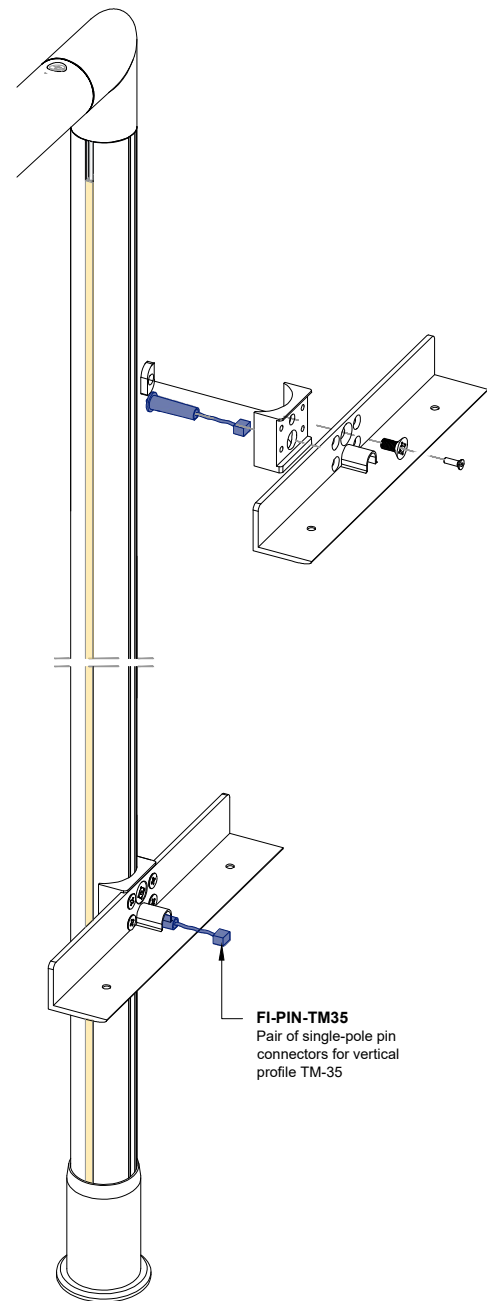
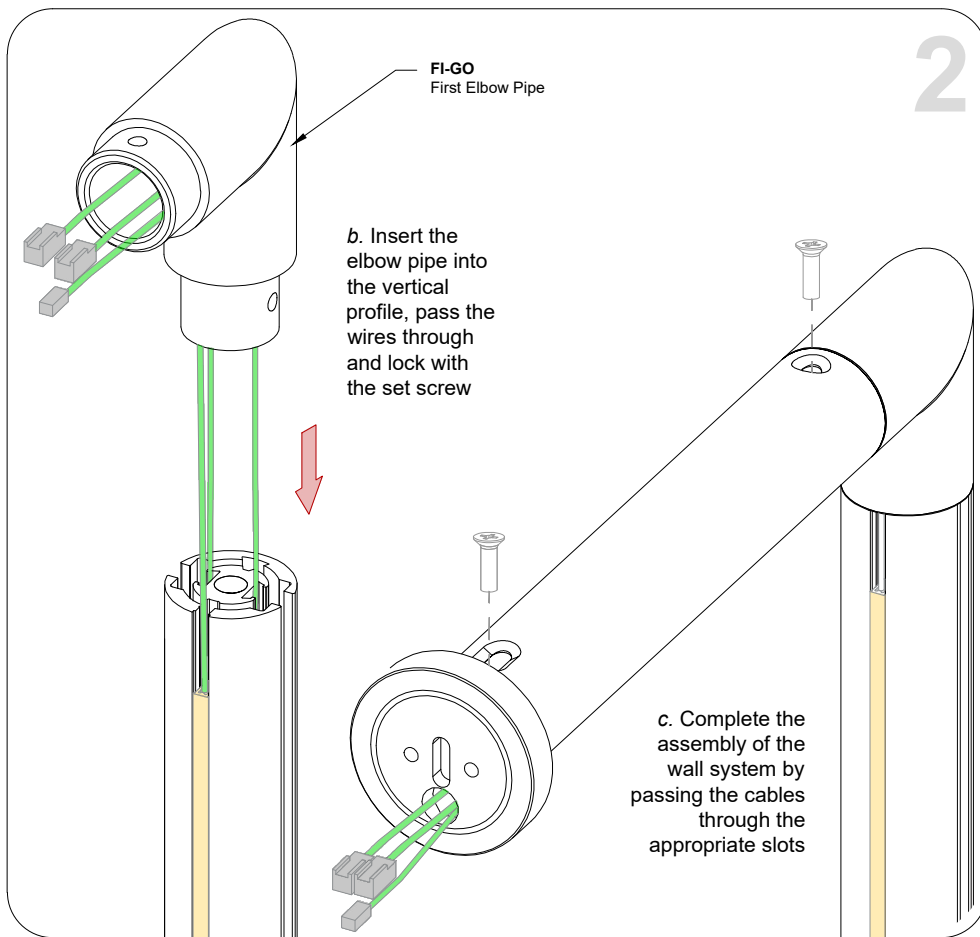
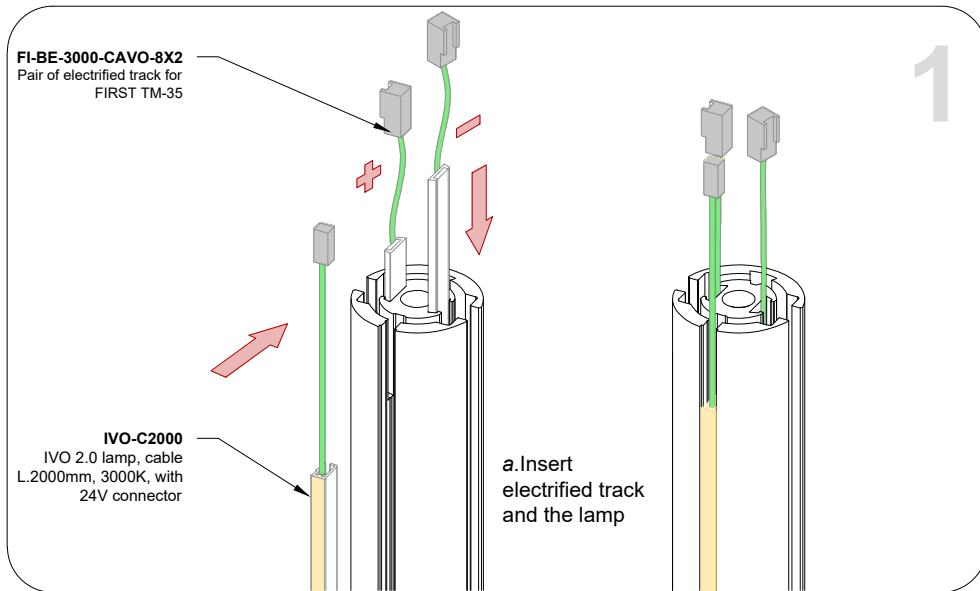
FI-35

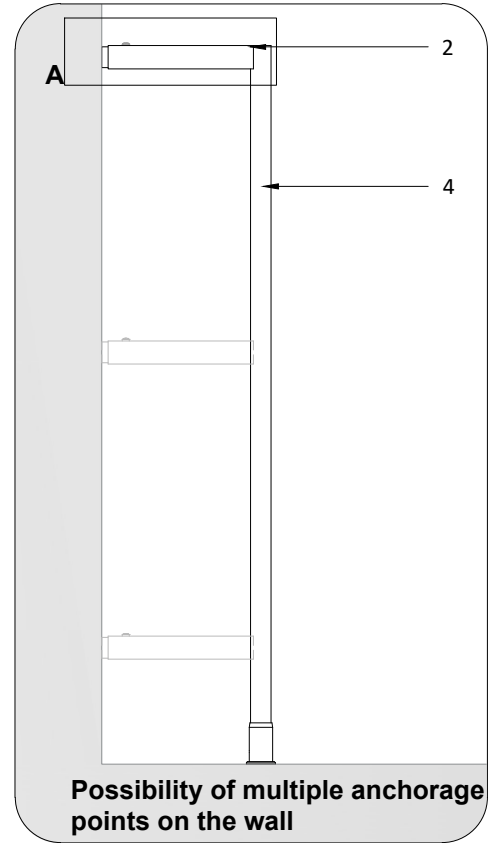
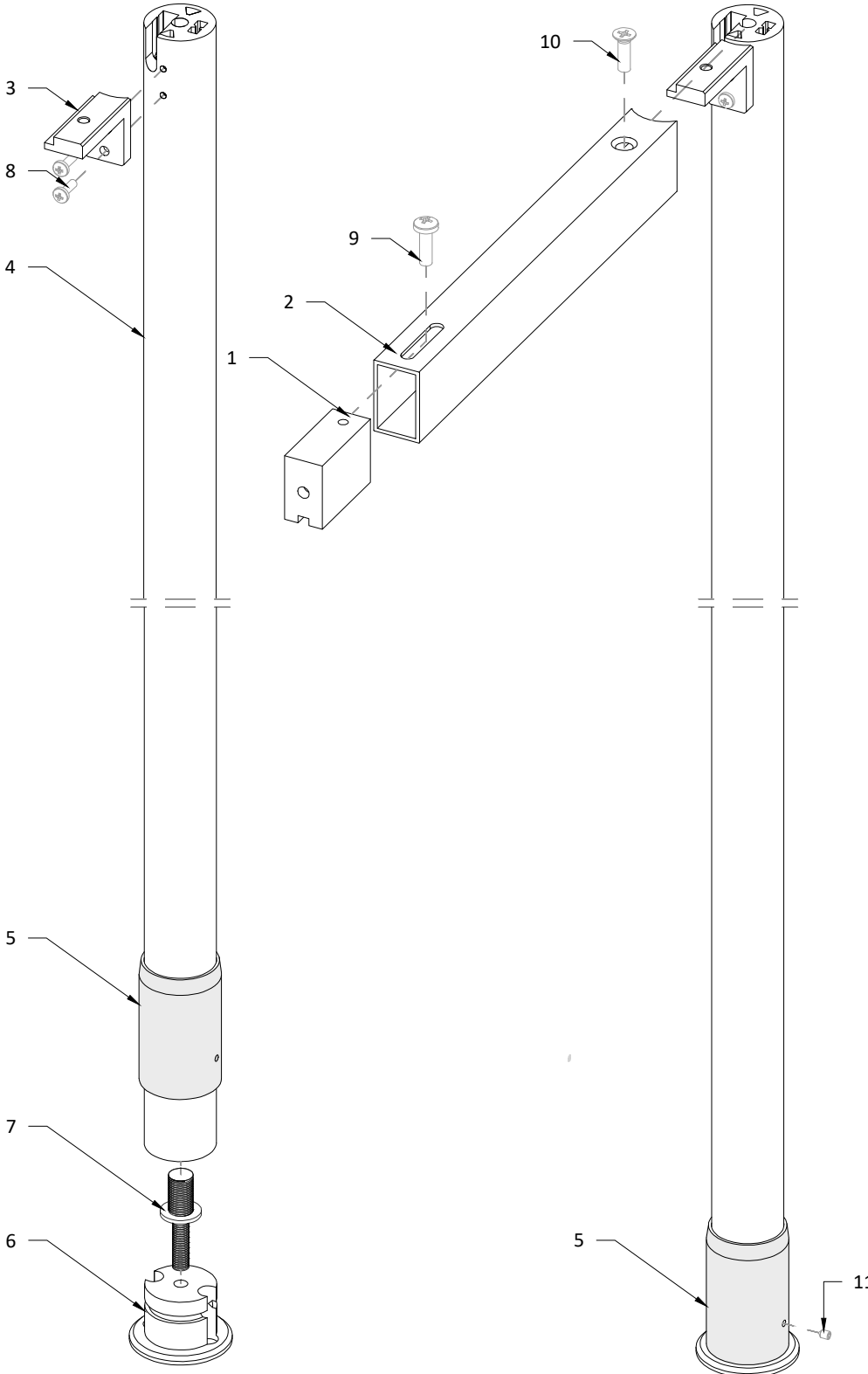
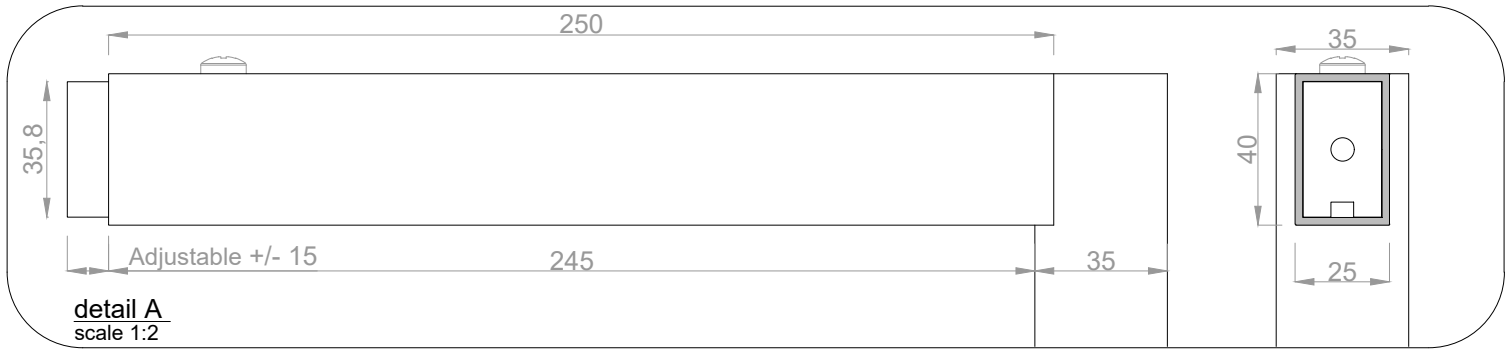


TM-35









CAPTION

1. FI-ATT-BRA-SM Connection to the wall for FIRST vertical profile
2. FI-R40x25-250 Rectangular tube for connection to FIRST vertical profile
3. FI-ATT-BRA-MON-GR L connection to FIRST vertical profile
4. First Vertical Profile
5. FI-39-GHIERA Ferrule for vertical profile foot
6. FI-PIED-INF Lower foot for FIRST vertical profile
7. FI-BOC Bush for fixing foot to FIRST vertical profile
8. Metric flat head countersunk screw TSP M4x12
9. Metric flat head countersunk screw TSP M6x20
10. Metric conical head screw TC M6x20
11. Cone point set screw M4x8

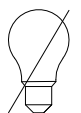
ALUMINIUM PROFILES

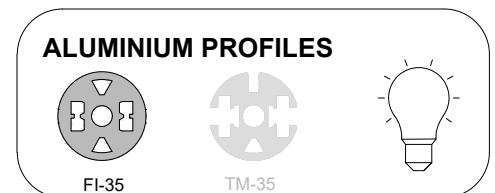
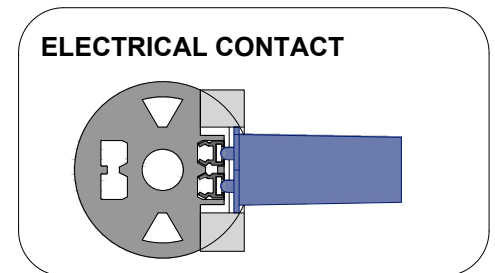
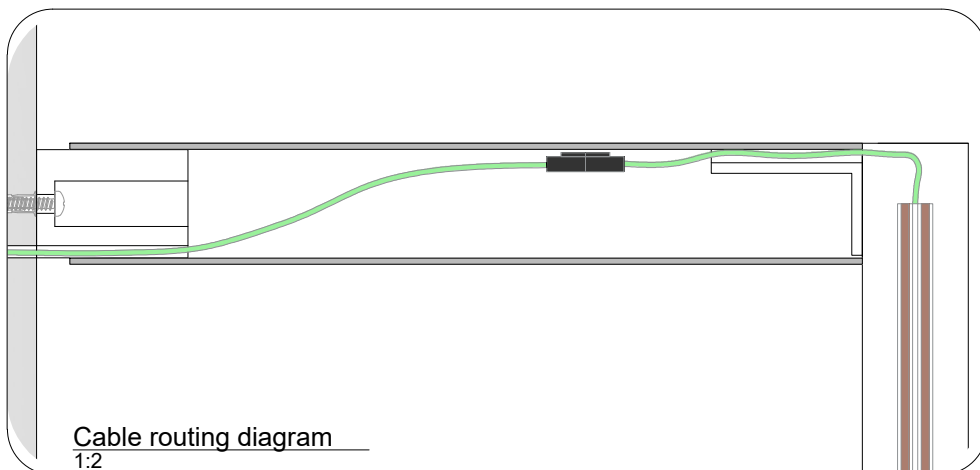
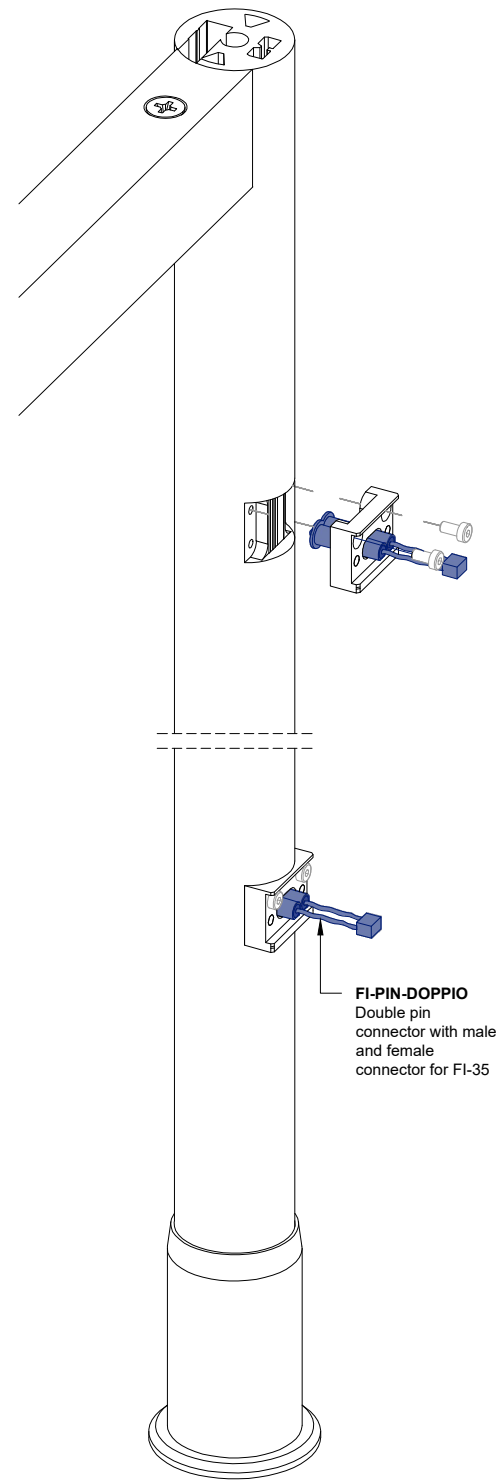
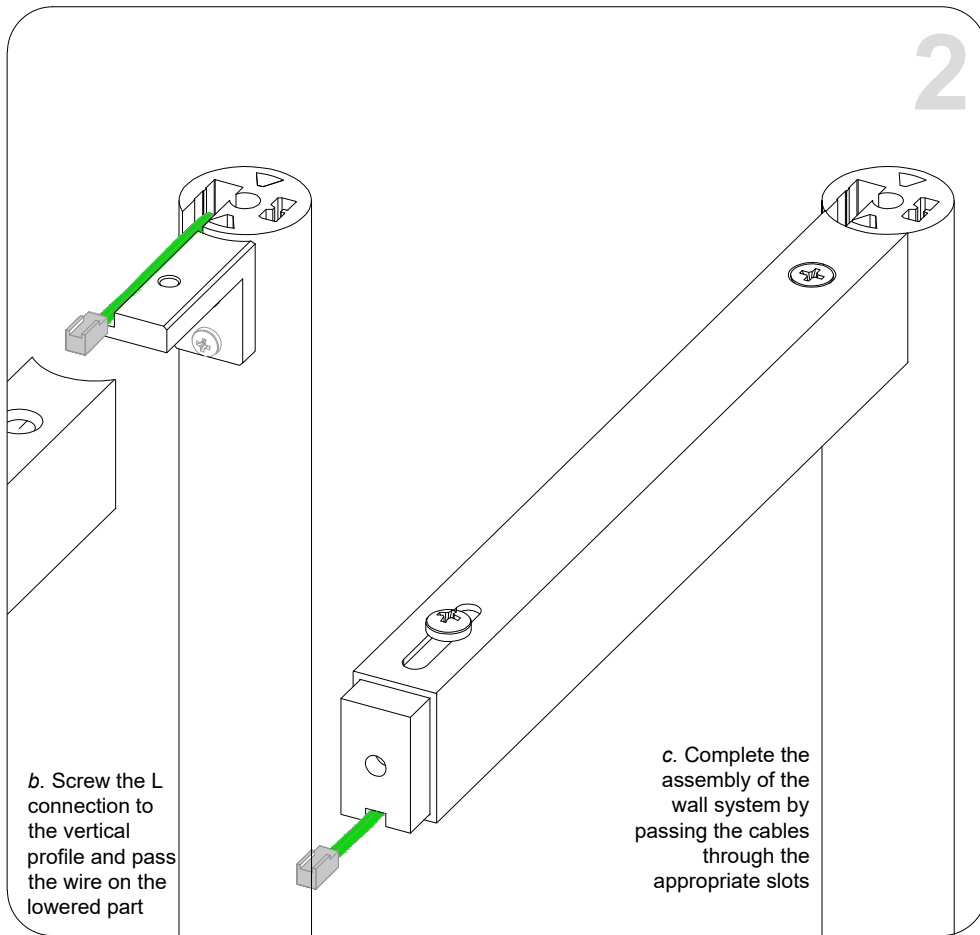
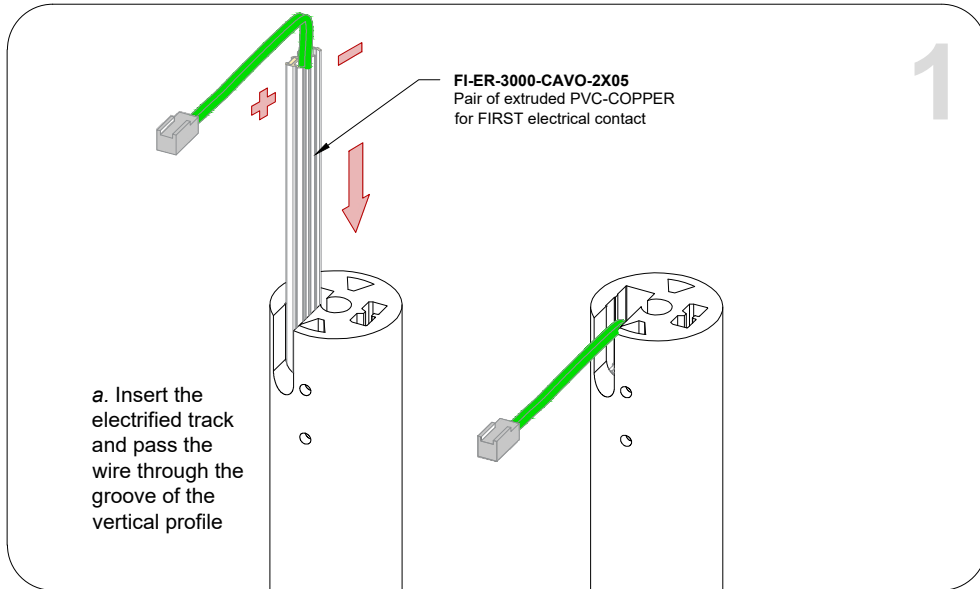


FI-35

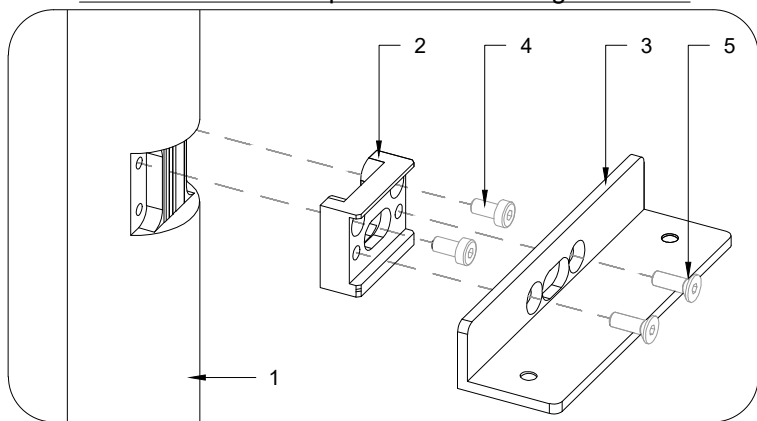


TM-35

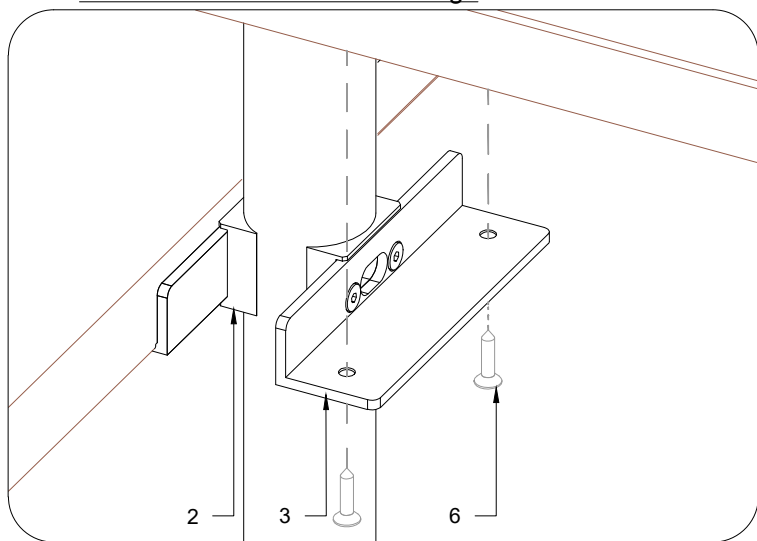




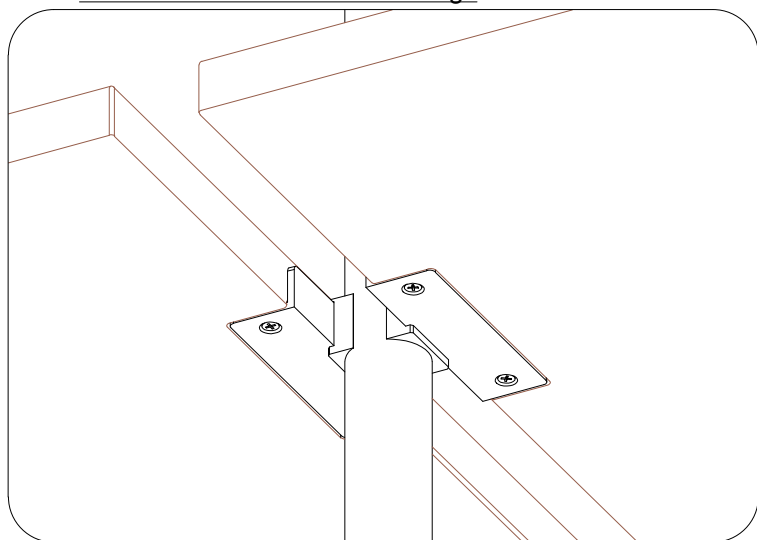
Axonometric view: exploded view of fixing elements



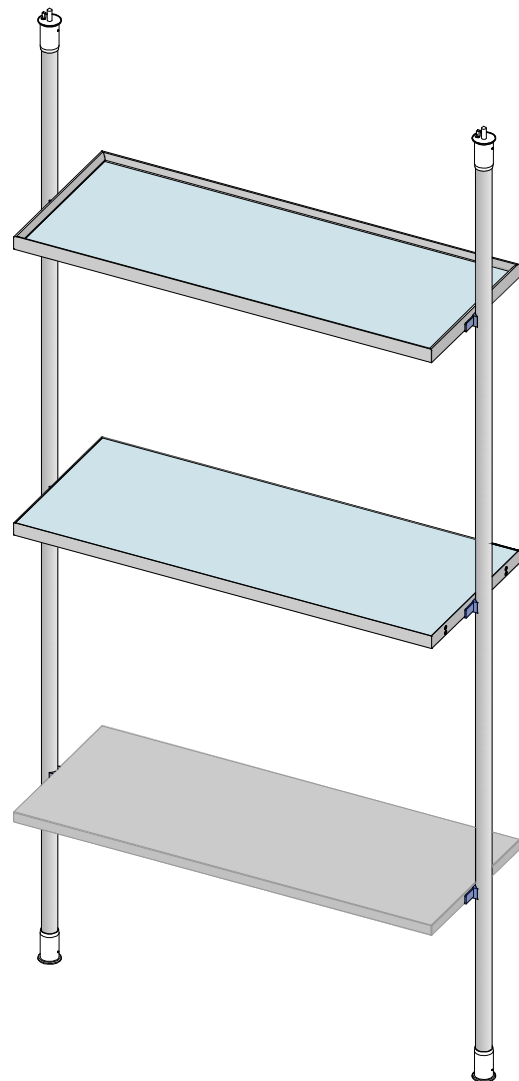
Axonometric view: lower hooking



Axonometric view: lower hooking



Applications



CAPTION

1. First Vertical Profile
2. FI-DIST-LE-ALLUM FIRST aluminium spacer for shelf
3. FI-REG-LE-ALLUM FIRST aluminium support for wooden shelf
4. Metric hexagon socket head screw M4x10
5. Metric hex flat countersunk head screw M4x10
6. Screw for wood countersunk head TS+ 4.2x16

ALUMINIUM PROFILES



FI-35

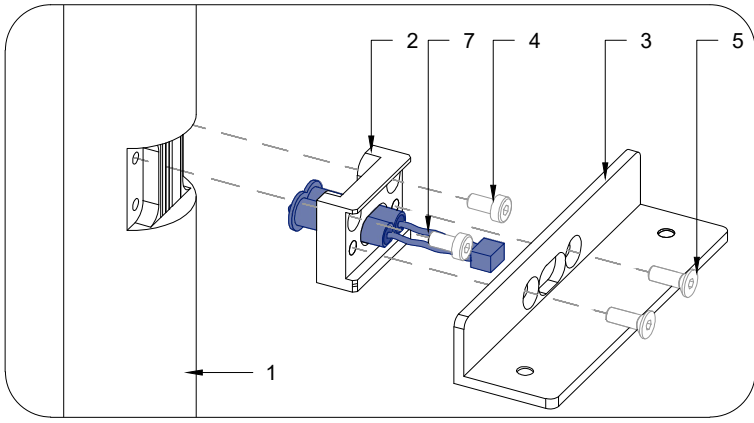


TM-35

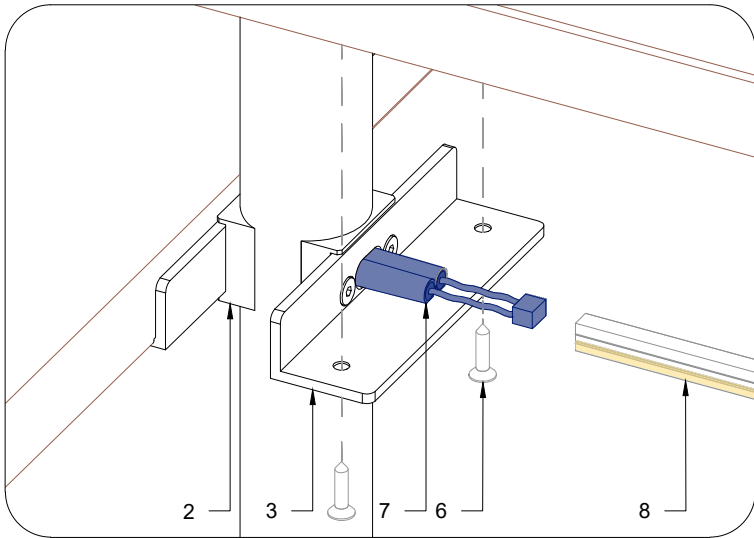


without Electrification

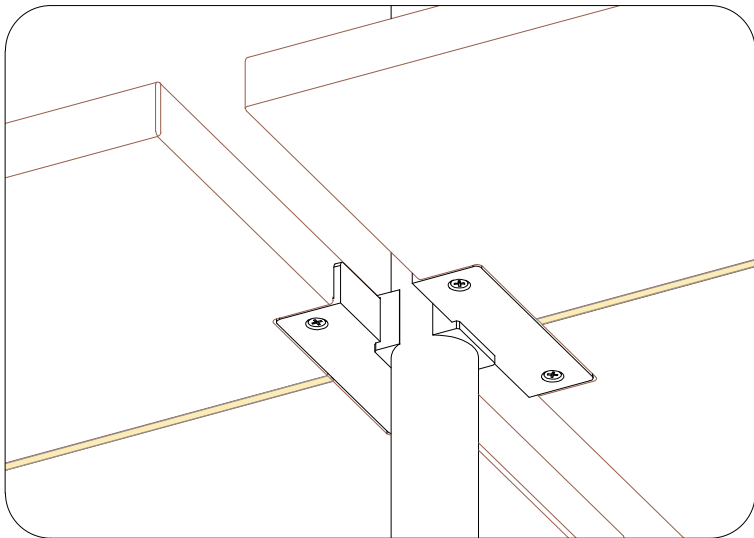
Axonometric view: exploded view of fixing elements



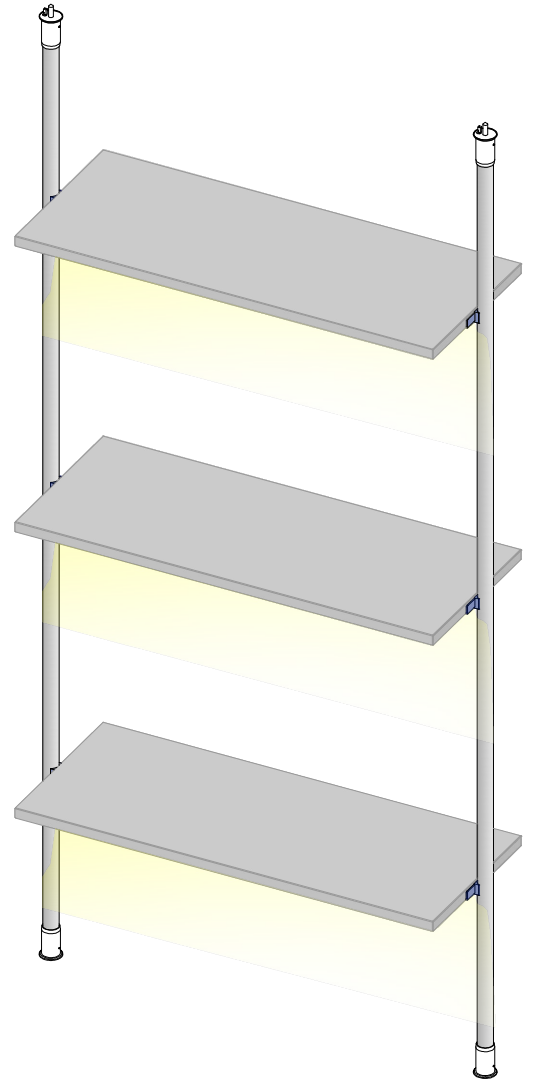
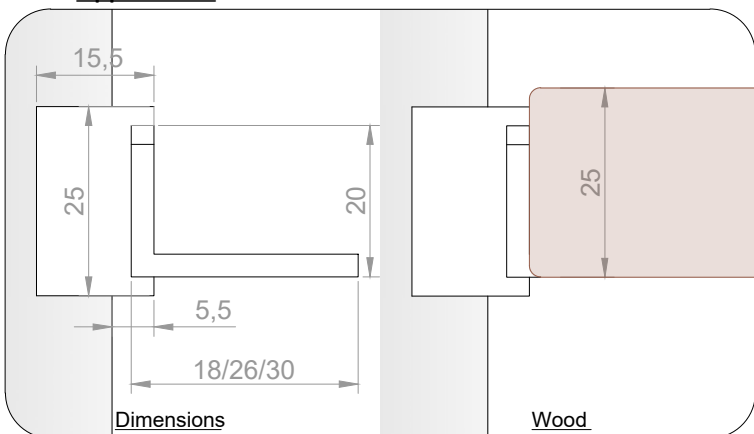
Axonometric view: lower hooking



Axonometric view: lower hooking



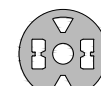
Applications



CAPTION

1. First Vertical Profile
2. FI-DIST-LE-ALLUM FIRST aluminium spacer for shelf
3. FI-REG-LE-ALLUM FIRST aluminium support for wooden shelf
4. Metric hexagon socket head screw M4x10
5. Metric hex flat countersunk head screw M4x10
6. Screw for wood countersunk head TS+ 4.2x16
7. FIN-PIN-DOPPIO Double pin connector with male and female connector for FI-35
8. LAMPADA-ERA ERA lamp, cable L.2000mm, 3000K, with 24V connector

ALUMINIUM PROFILES



FI-35

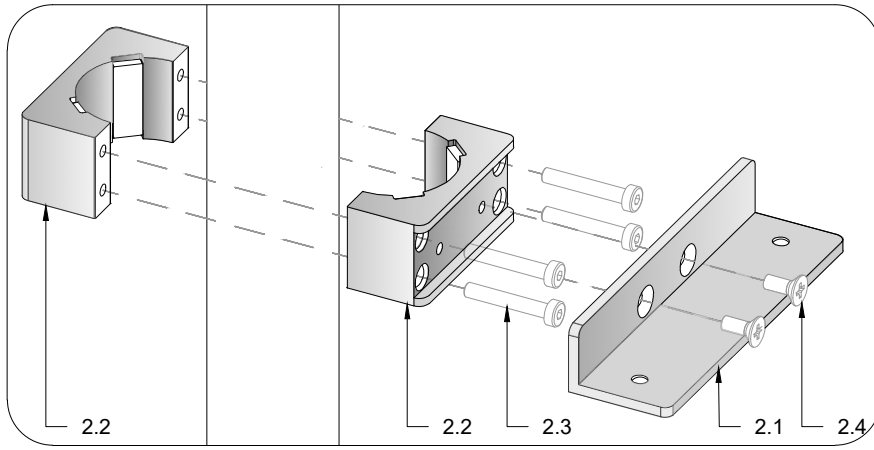


TM-35

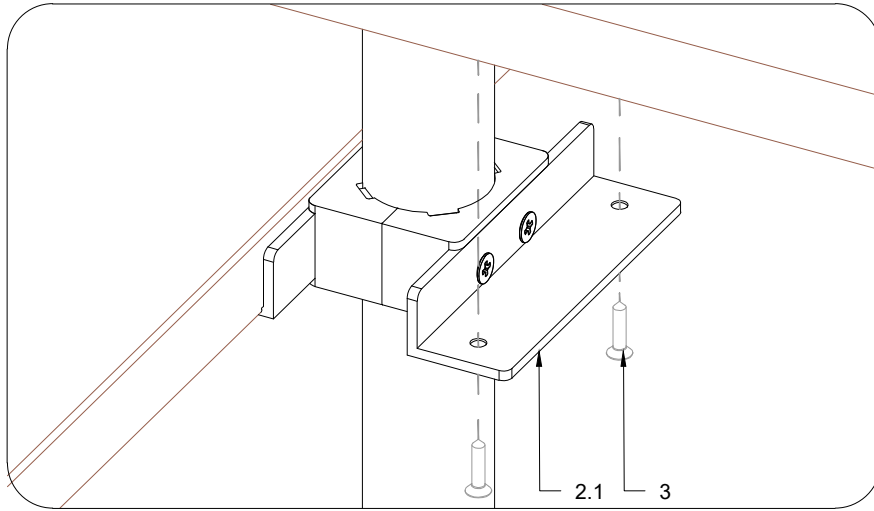


con
Elettrificazione

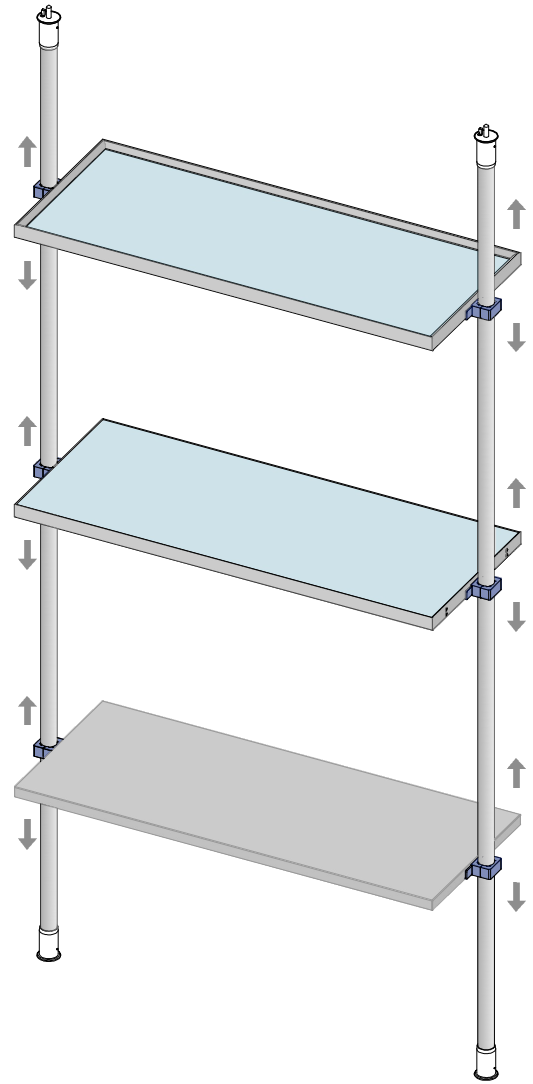
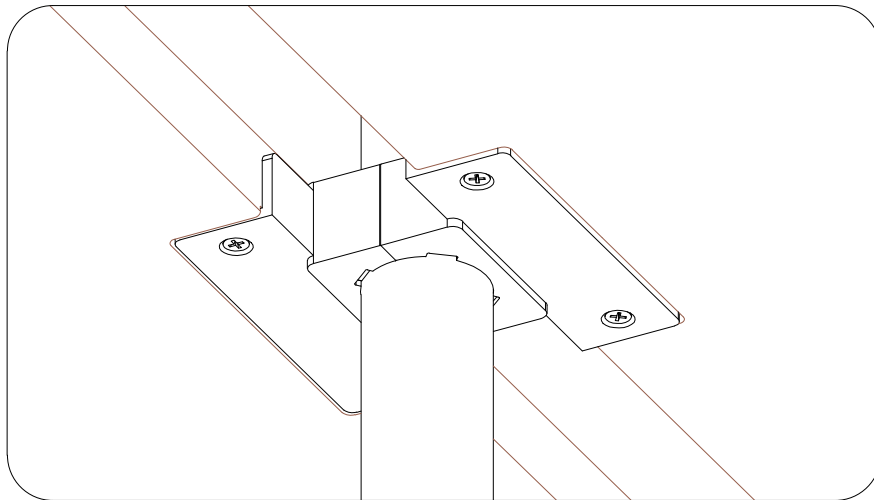
Axonometric view: exploded view of fixing elements



Axonometric view: lower hooking



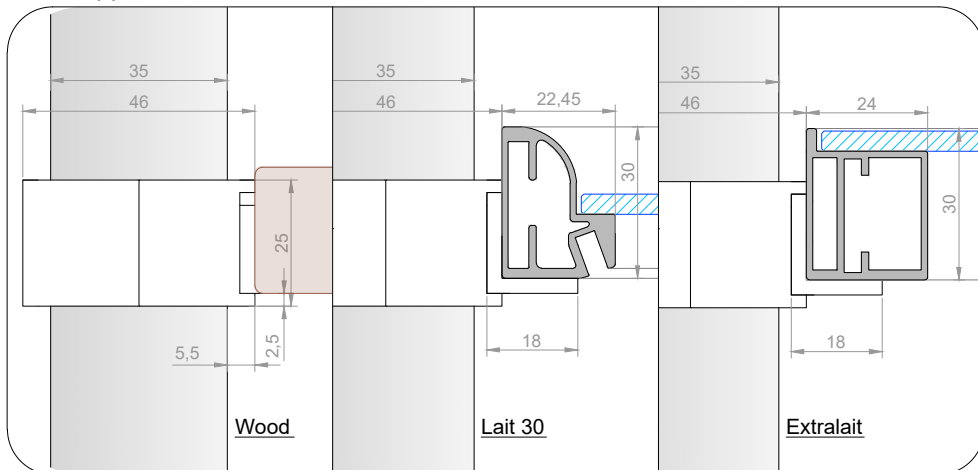
Axonometric view: lower hooking



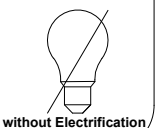
CAPTION

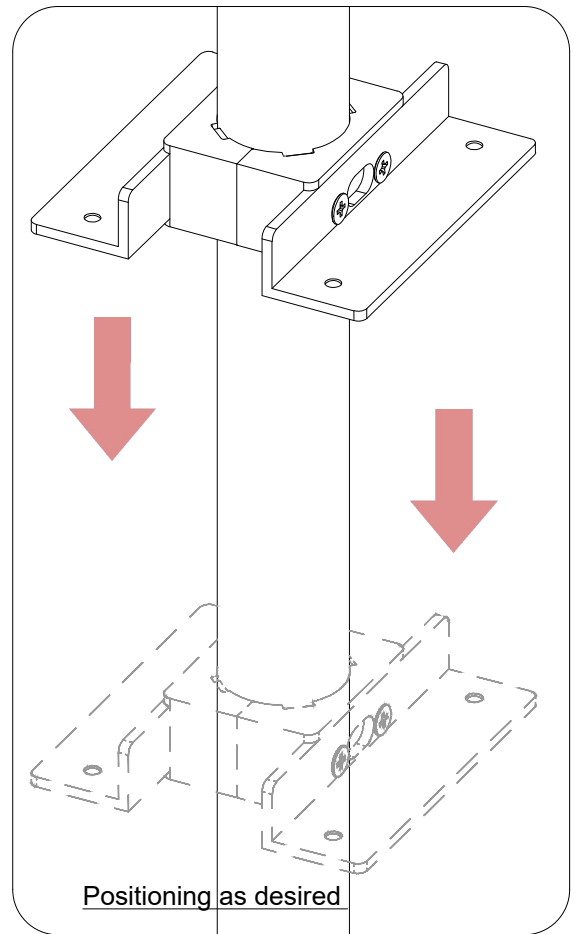
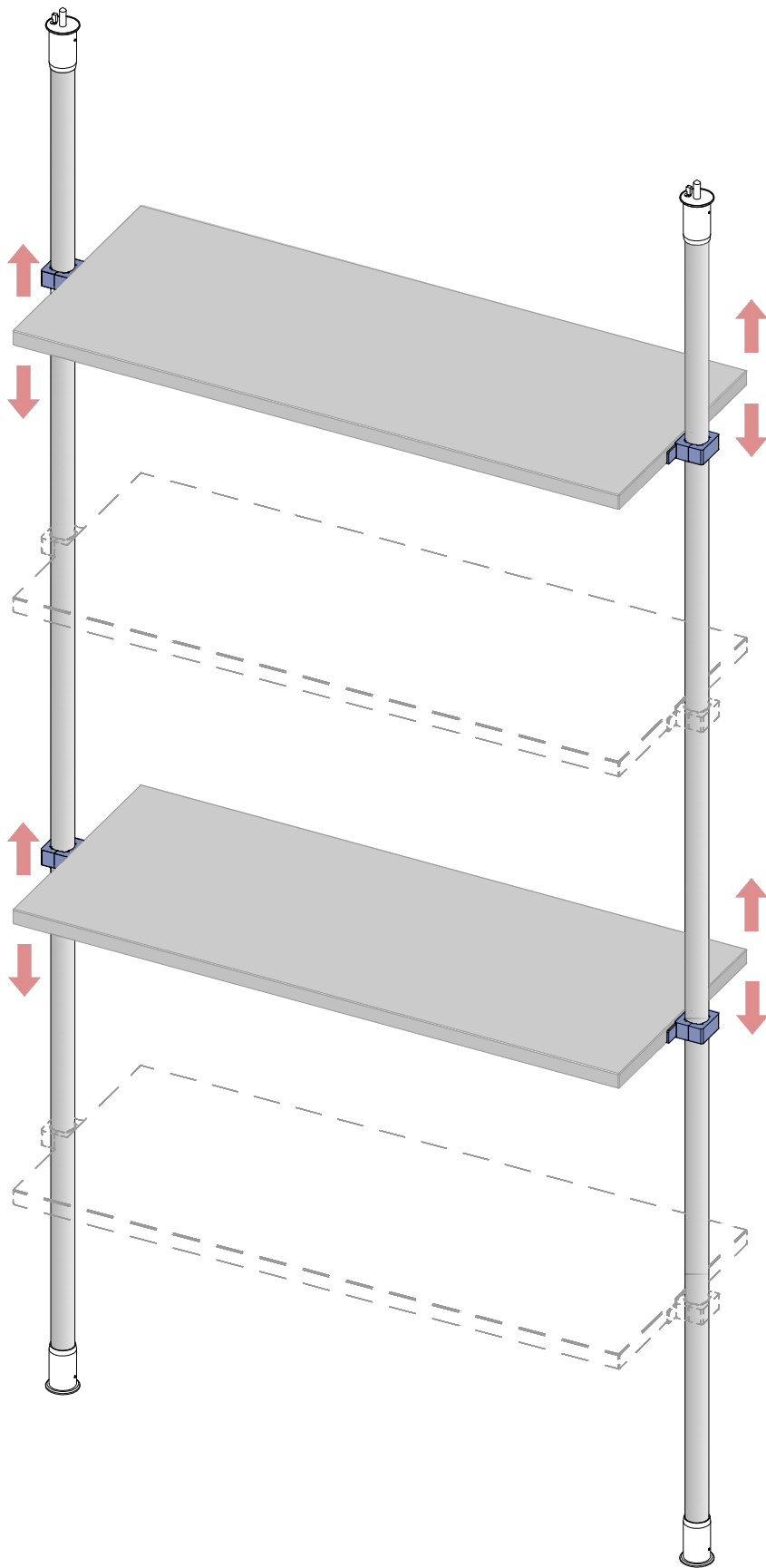
1. First Vertical Profile
2. FI-BLOC-CEN-REG-LE o
FI-BLOC-LAT-REG-LE made of:
 - 2.1. FI-REG-LE-ALLUM Shelf bracket for WOODEN shelf
 - 2.2. FI-BLOC-LAT-REG Side support for vertical profile FI-35 with screws and gaskets or FI-BLOC-CEN-REG Central support for vertical profile FI-35 with screws and gaskets
 - 2.3. Metric hexagon socket head screw M4x25
 - 2.4. Metric flat countersunk head screw M4x10
3. Screw for wood countersunk head 4.2x16

Applications



ALUMINIUM PROFILES





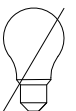
ALUMINIUM PROFILES

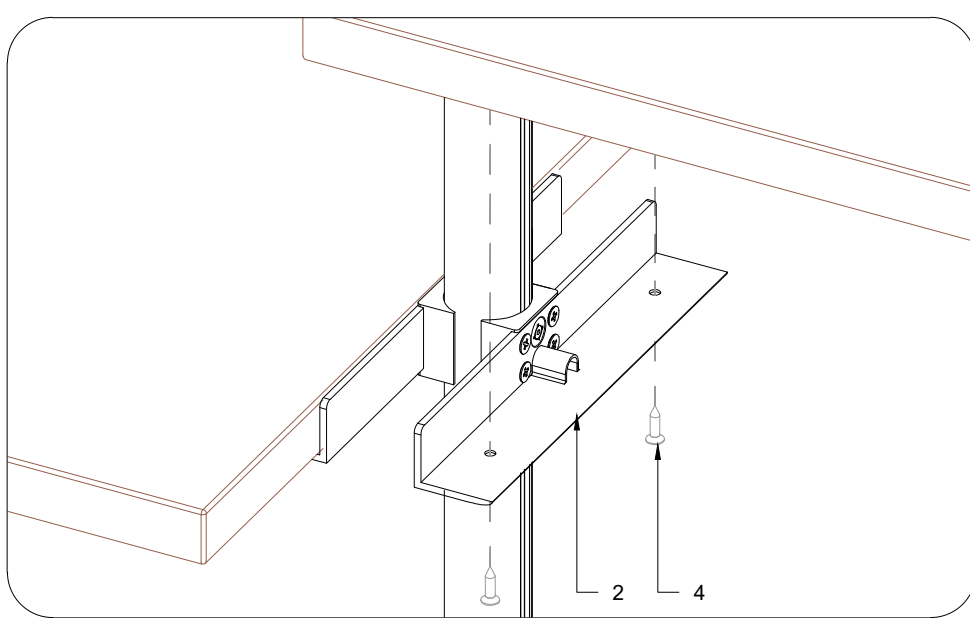
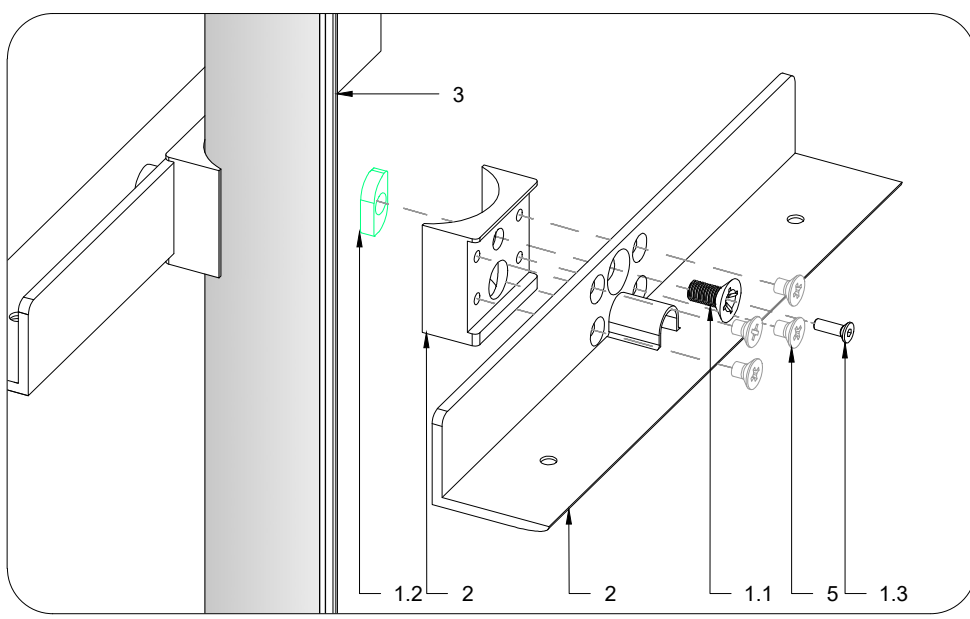
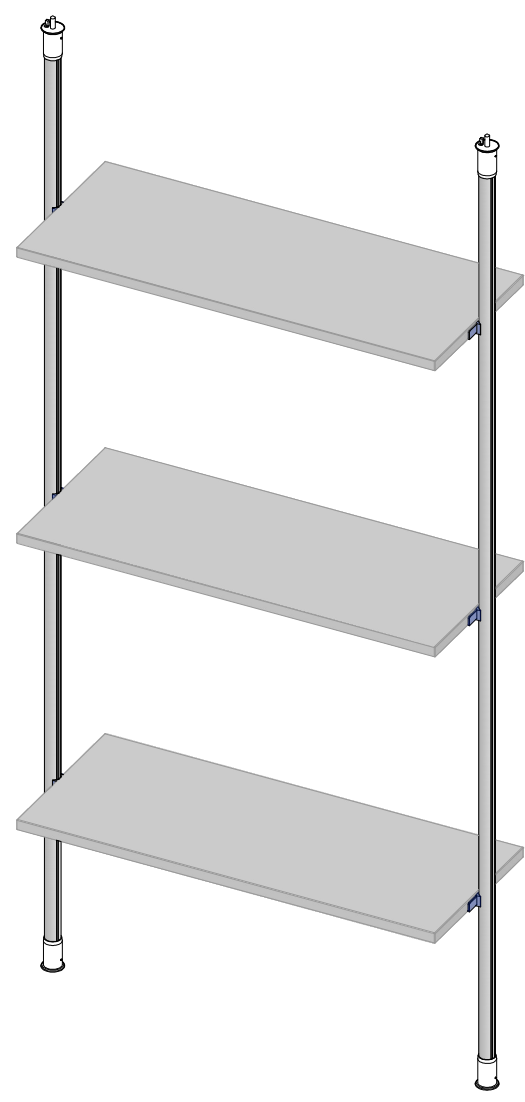
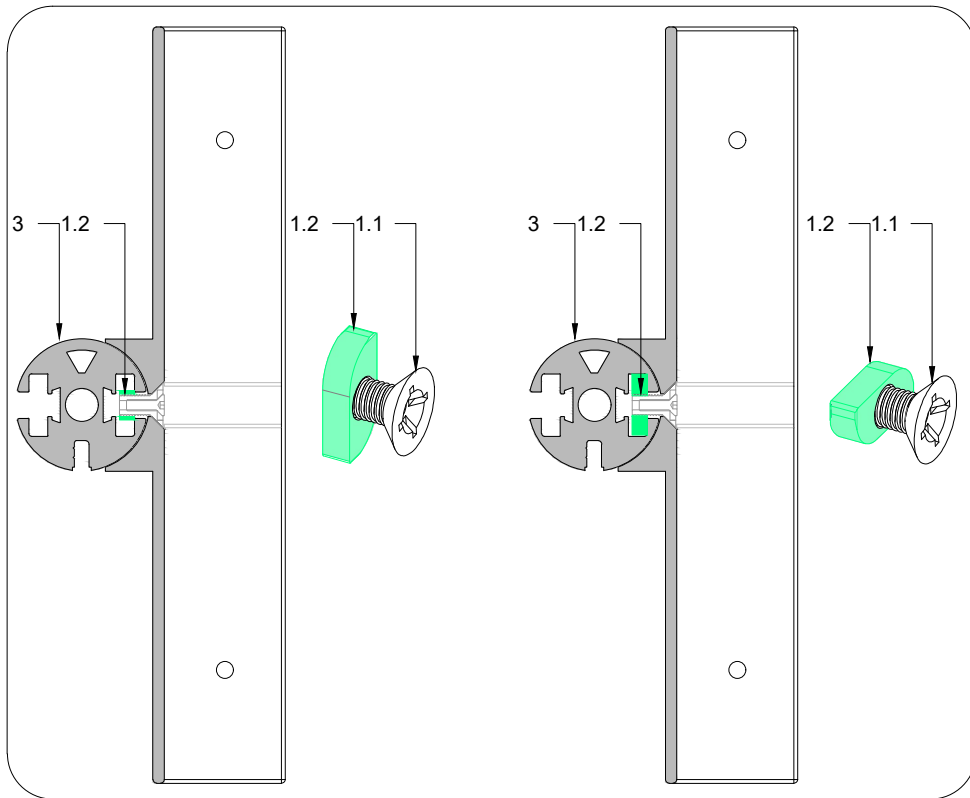


FI-35



TM-35



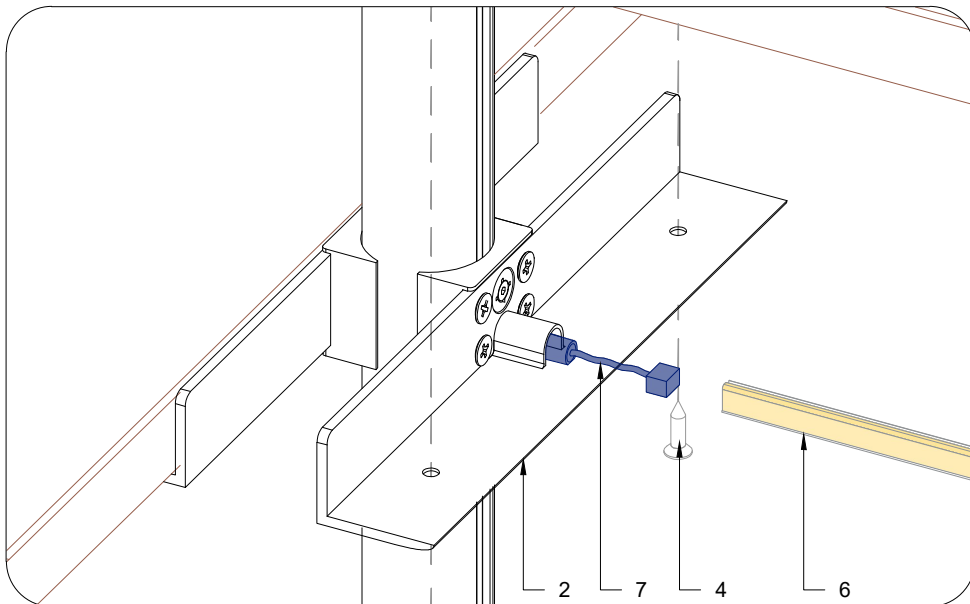
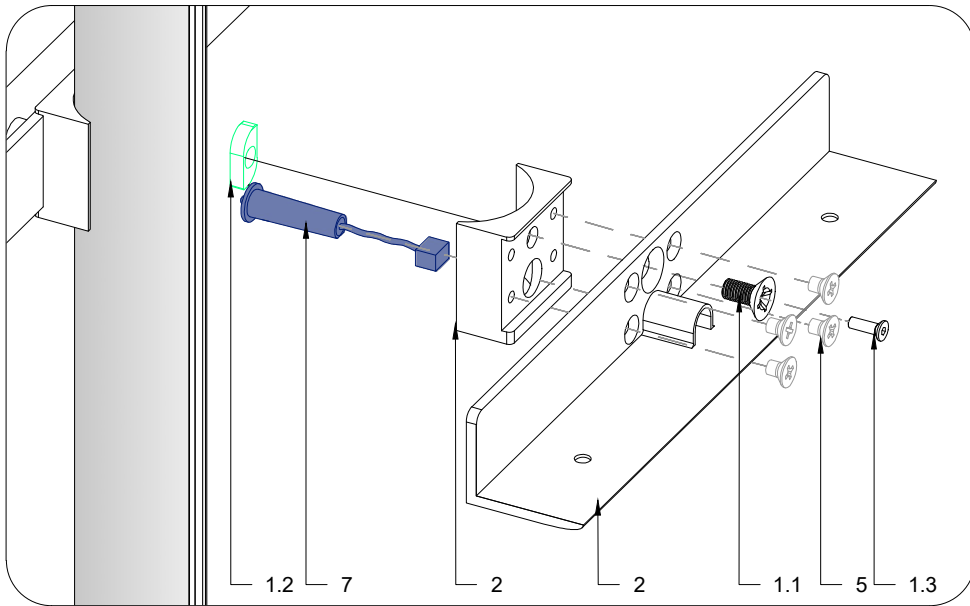
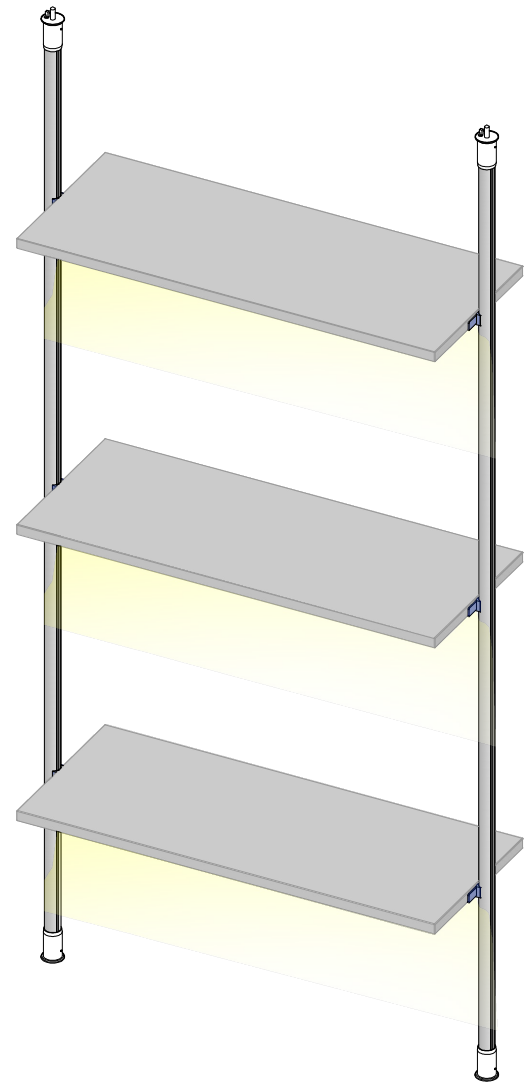
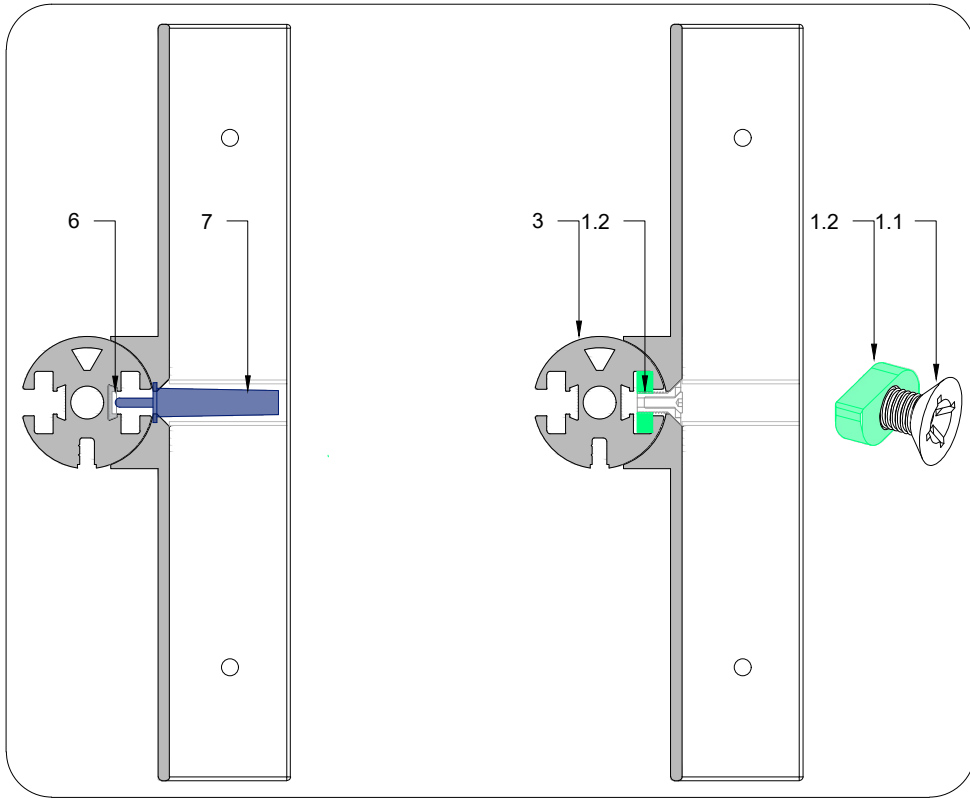


CAPTION

- 1. FI-AGG-ROT Rotating hooking with bushing and screw for TM-35
- 1.1. FI-AGG-ROT-BOC Bushing for rotating hooking plate TM-35
- 1.2. FI-AGG-ROT-FAR Plate for rotating hooking TM35
- 1.3. Metric flat countersunk head screw M3x12
- 2. FI-SUP-TM35-LE Support for wooden shelf with TM-35
- 3. First Vertical Profile
- 4. Screw for wood countersunk head 4.2x16
- 5. Metric flat countersunk head screw M4x8

ALUMINIUM PROFILES

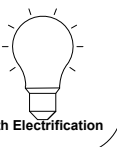


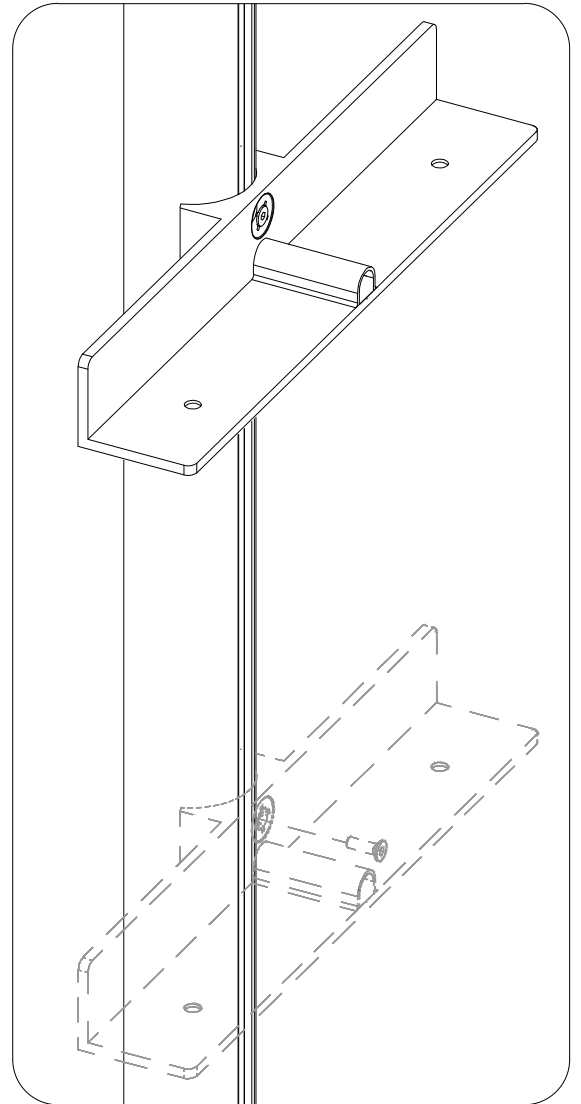
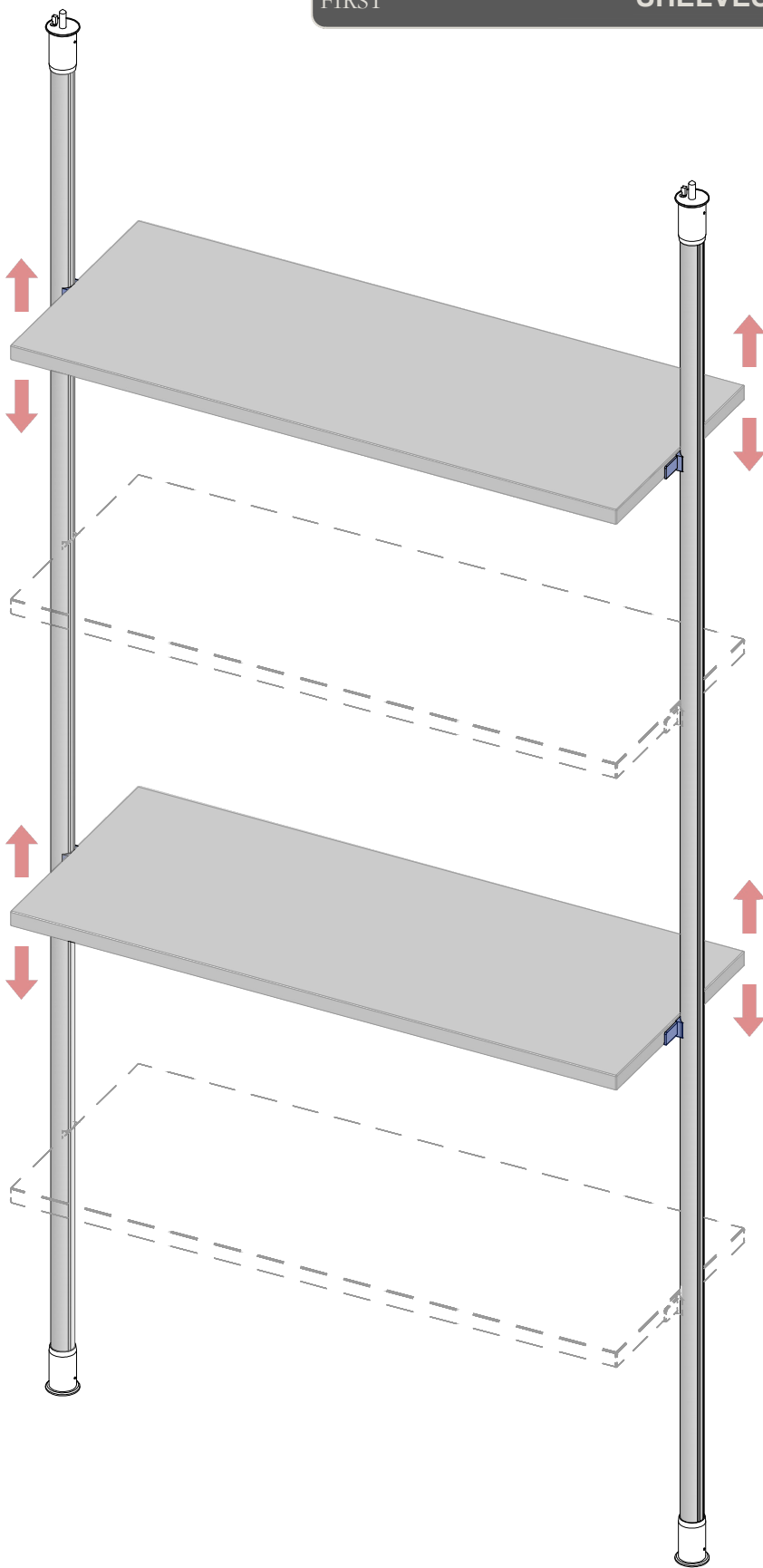


CAPTION

1. FI-AGG-ROT Rotating hooking with bushing and screw for TM-35
 - 1.1. FI-AGG-ROT-BOC Bushing for rotating hooking plate TM-35
 - 1.2. FI-AGG-ROT-FAR Plate for rotating hooking TM35
 - 1.3. Metric flat countersunk head screw M3x12
2. FI-SUP-TM35-LE Support for wooden shelf with TM-35
3. First Vertical Profile
4. Screw for wood countersunk head 4.2x16
5. Metric flat countersunk head screw M4x8
6. IVO-C2000 IVO 2.0 lamp, cable L.2000mm, 3000K, with 24V connector
7. FI-PIN-TM35 Double pin connector with male and female connector for TM-35

ALUMINIUM PROFILES



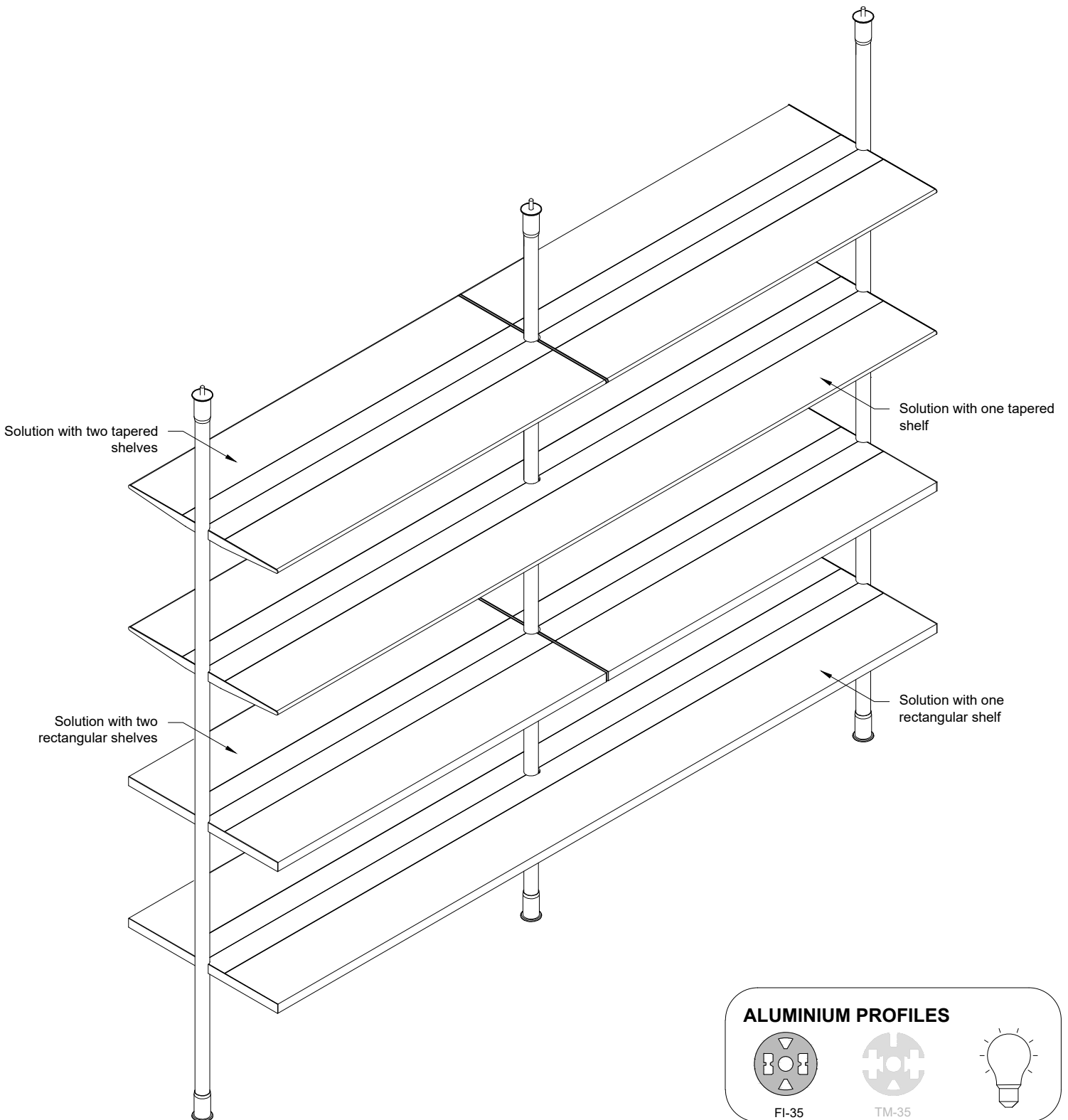
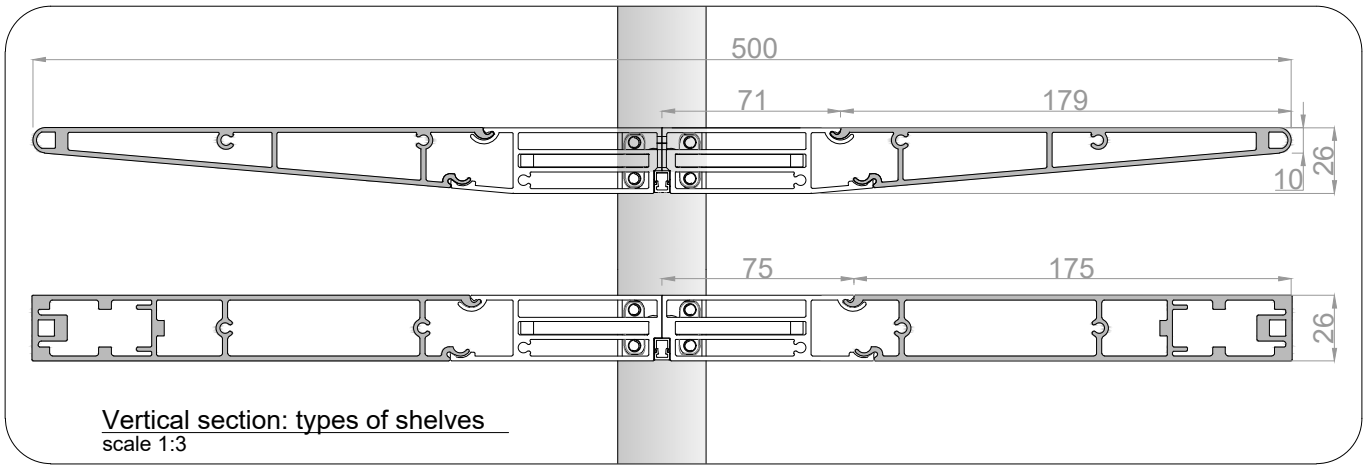


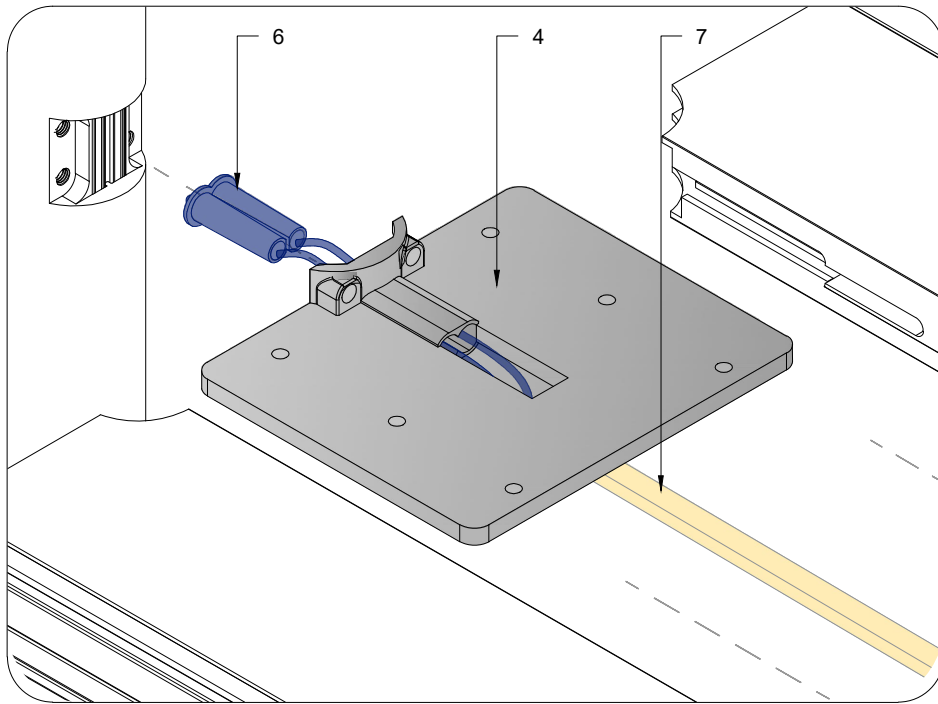
Applications

<p>Dimensions</p>	<p>Extralait</p>	<p>Lait 30</p>	<p>Wood</p>
-------------------	------------------	----------------	-------------

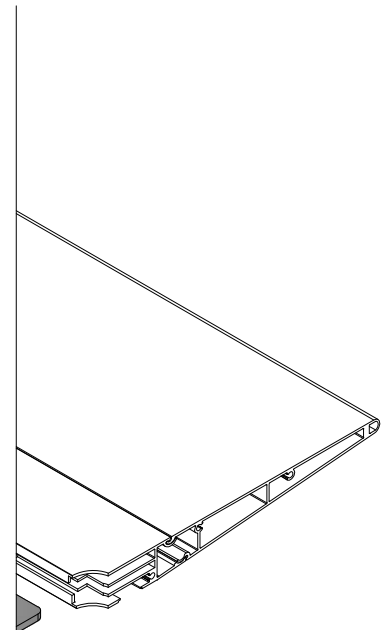
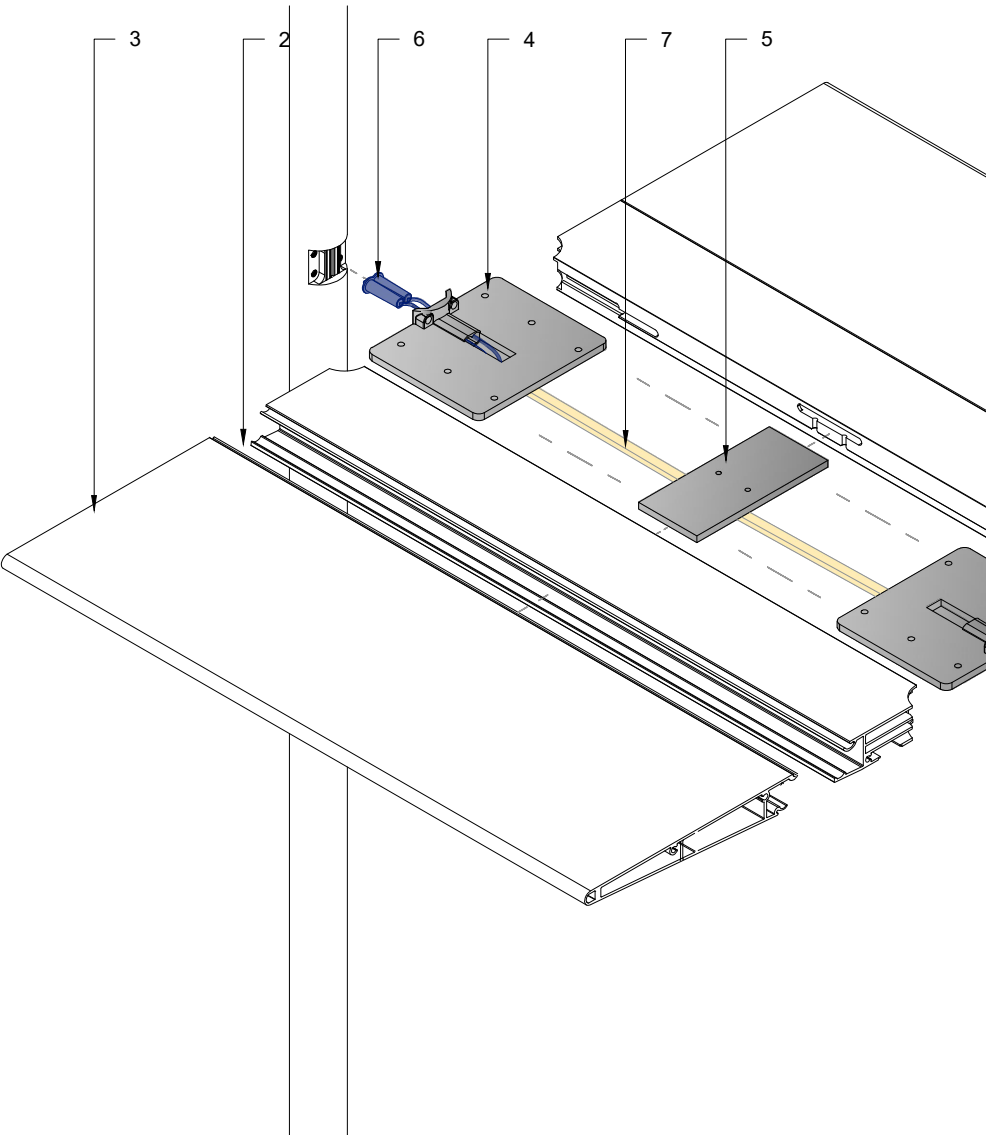
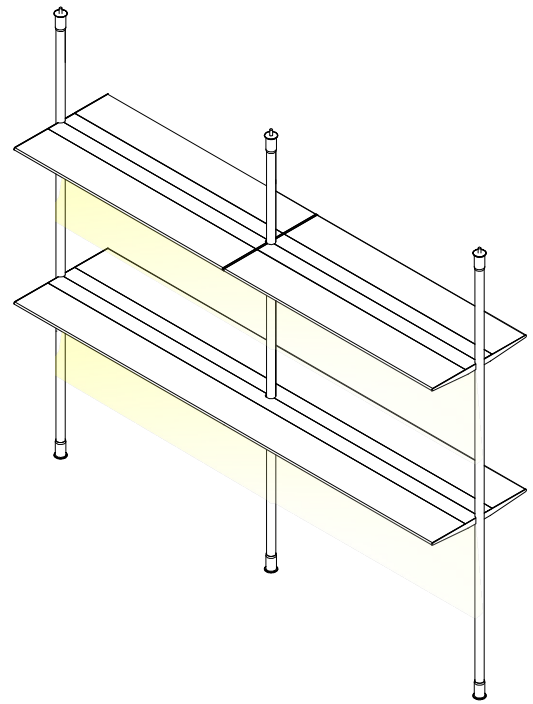
ALUMINIUM PROFILES

FI-35	TM-35





dettaglio aggancio mensola



CAPTION

1. FI-35 First Vertical Profile
2. FI-8426C FIRST connecting profile for central shelf
3. FI-17926 FIRST hooking profile for central shelf
4. FI-REG-ZAMA Zamak shelf bracket for aluminium shelf
5. FI-PIA-ALLUM-GR Aluminium plate for shelf reinforcement
6. FI-PIN-DOPPIO Double pin connector with male and female connector for FI-35
7. LAMPADA-ERA ERA lamp, cable L.2000mm, 3000K, with 24V connector

ALUMINIUM PROFILES



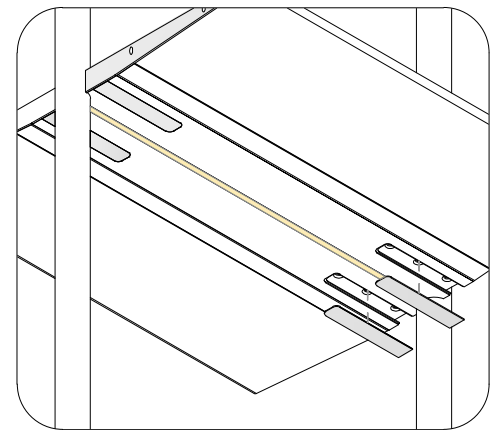
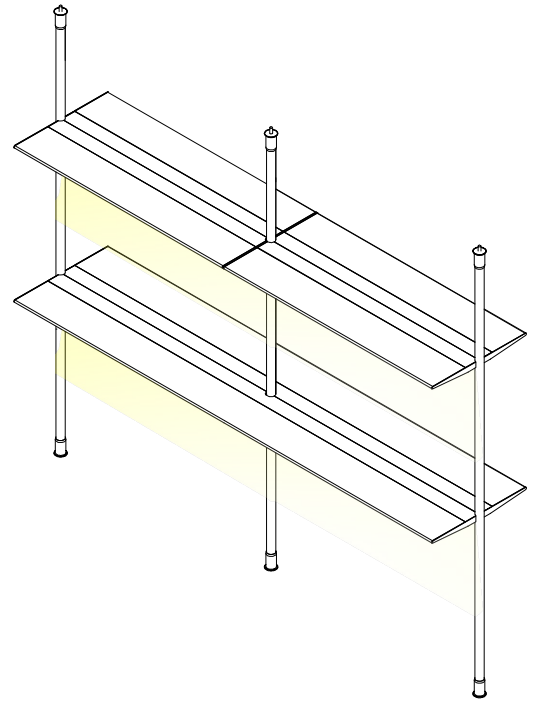
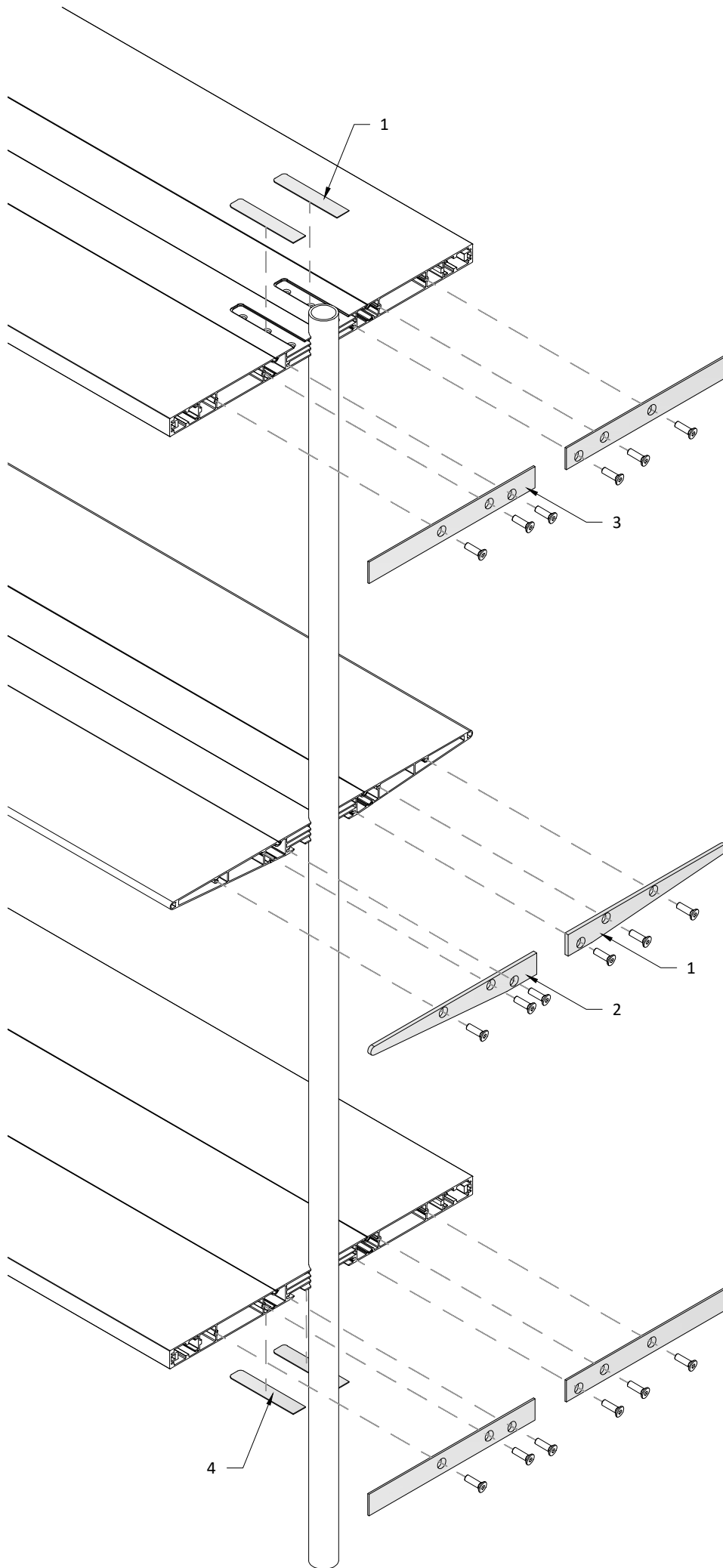
FI-35



TM-35



with Electrification



Detail for cover plates

CAPTION

1. FI-TAP-SX-ALL *Left side cap for FIRST tapered shelf*
2. FI-TAP-DX-ALL *Right side cap for FIRST tapered shelf*
3. FI-TAP-SI-ALL *Cap for FIRST rectangular shelf*
4. FI-MOSTR-ALLUM *Screw cover plate for FIRST shelf*

ALUMINIUM PROFILES



FI-35



TM-35



with Electrification